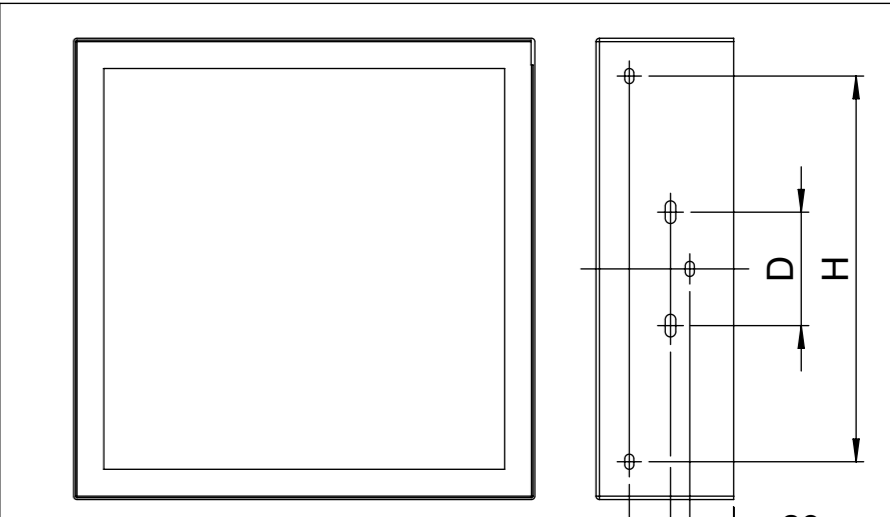
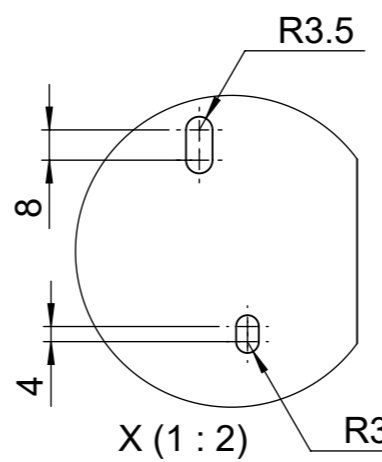
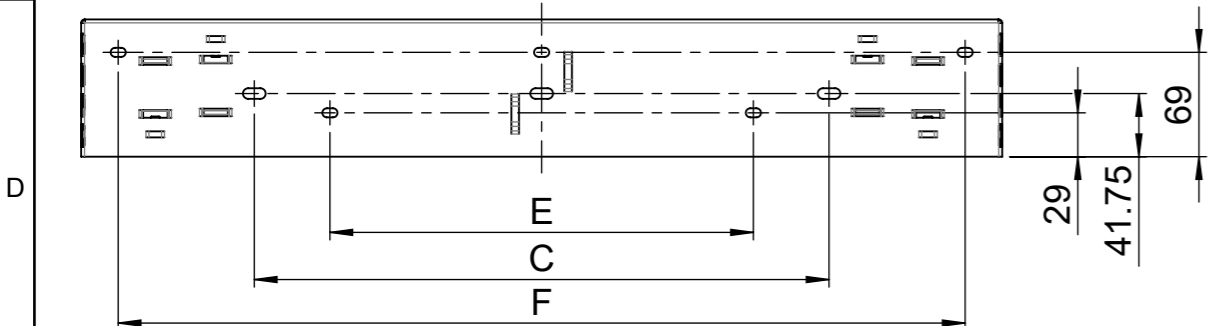
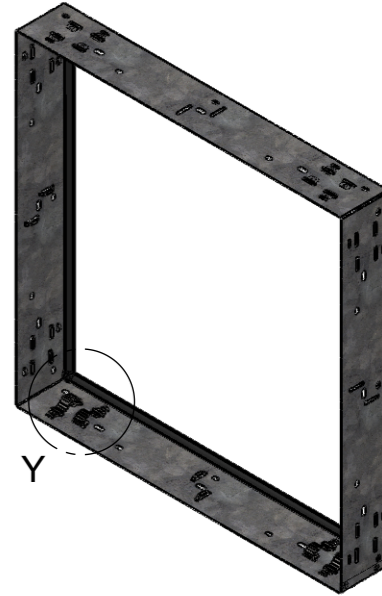
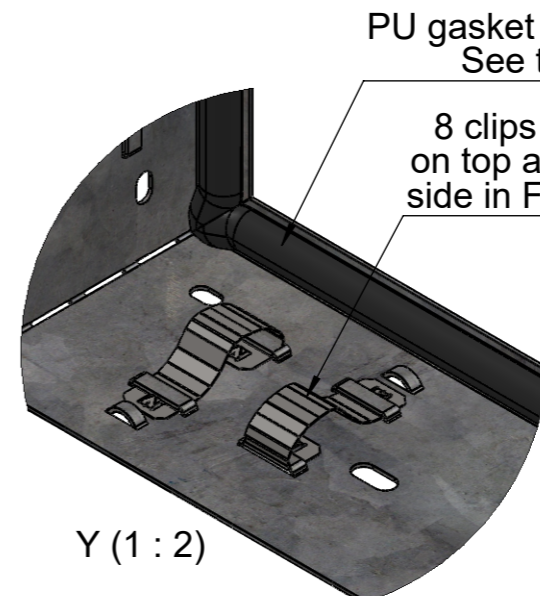
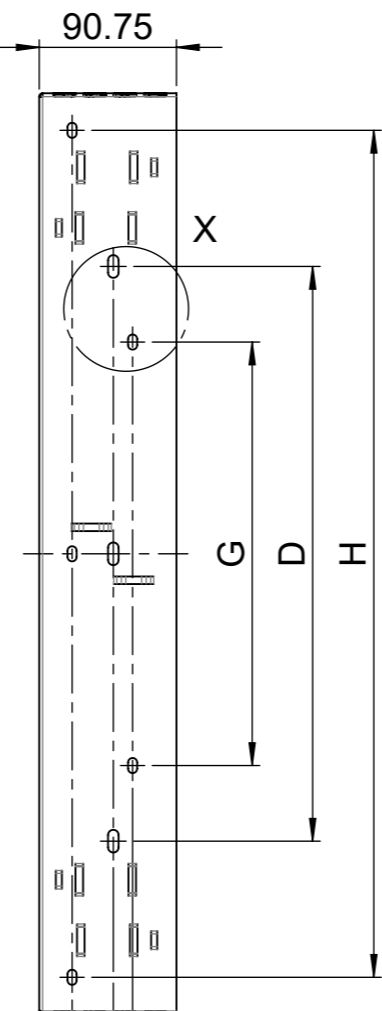
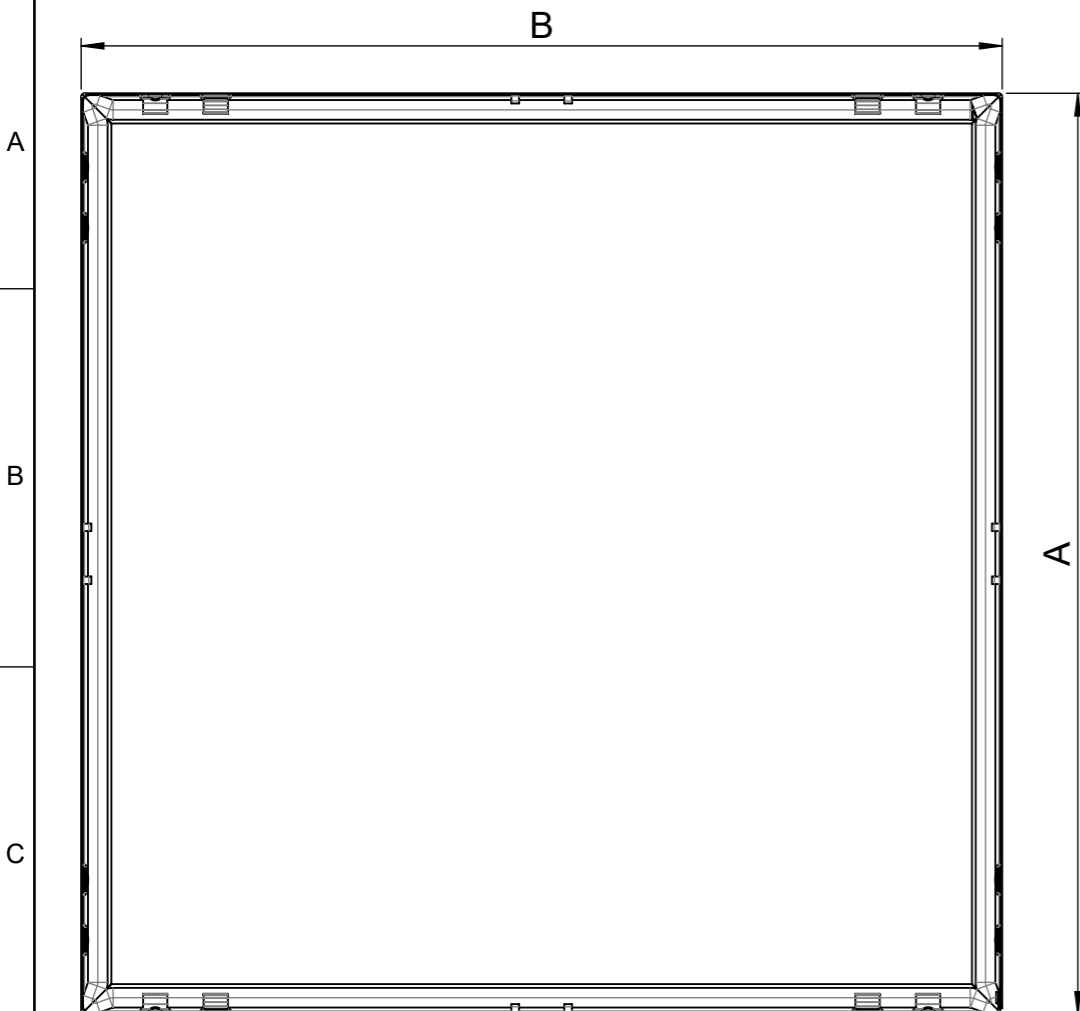
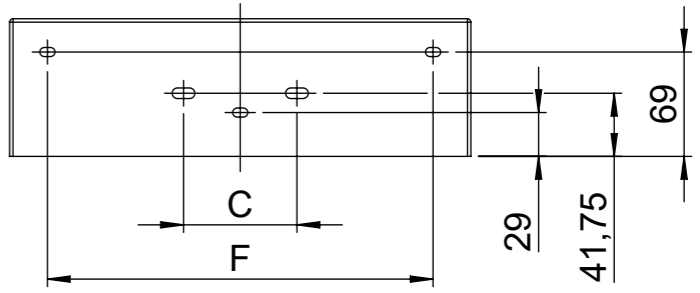


Model ID: --(2/24/2022)
Drawing ID: --(2/24/2022)

Zone		Rev.	Last 3 revisions		Date	Changed by
			Change Note			



* Note
Simplified views if the side dimension is 305 mm



Dimensions								PU Gasket in FastFrame	Material and Article number		
A	B	C	D	E	F	G	H		Galvanized	Stainless (1.4301)	Stainless (1.4404)
610	610	380	380	280	560	280	560	NO	1048124	1048160	1048189
								YES	1048125	1048161	1048190
610	508	380	278	280	560	178	458	NO	1048126	1048162	1048191
								YES	1048127	1048163	1048192
508	610	278	380	178	458	280	560	NO	1048128	1048164	1048193
								YES	1048129	1048165	1048194
610	305*	380	75	280	560	NA	255	NO	1048130	1048166	1048195
								YES	1083642	1048167	1048196
305*	610	75	380	NA	255	280	560	NO	1048132	1048168	1048197
								YES	1048131	1048169	1048198
305*	305*	75	75	NA	255	NA	255	NO	1048133	1048170	1048199
								YES	1048134	1048171	1048200
508	508	278	278	178	458	178	458	NO	1048135	1048172	1048201
								YES	1048136	1048173	1048202
305*	508	75	278	NA	255	178	458	NO	1094583	1094603	1094607
								YES	1094584	1094604	1094608
508	305*	278	75	178	458	NA	255	NO	1094585	1094605	1094609
								YES	1094586	1094606	1094610

* See simplified drawing views for fast frames that has a side that is 305mm

MATERIAL See table		DIMENSION / SIZE		GENERAL TOLERANCES	
FINISH					
DESIGNED FP	APPROVED FP	DESCRIPTION FastFrame customer tabular drawing		DATE [yyyy.mm.dd] 2022-02-18	
		DRAWING 0000006863		WEIGHT [kg]	SCALE 1:5
		REVISION -	SHEET 1/1		

NB: The copyright of this drawing remains with Camfil. Contents must not be used, copied or disclosed to third parties without prior written consent. All rights reserved.