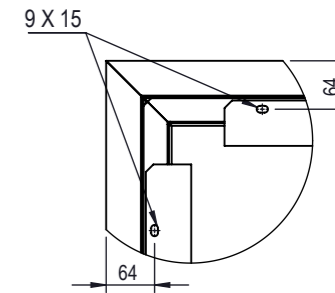
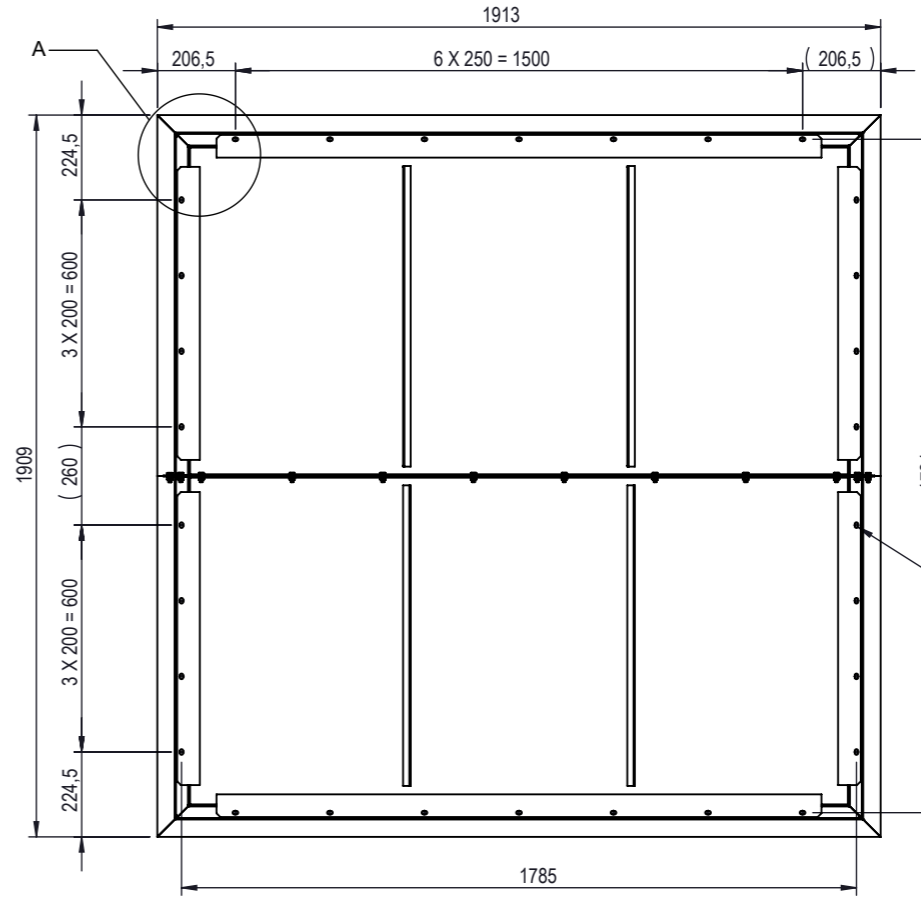
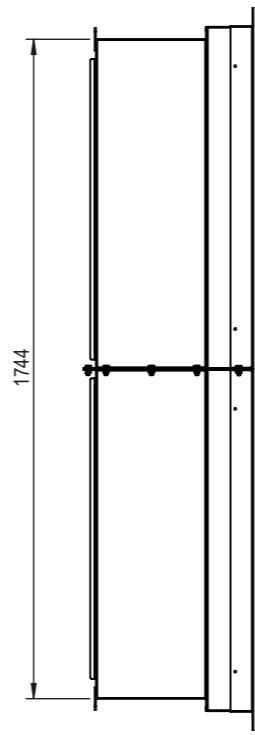
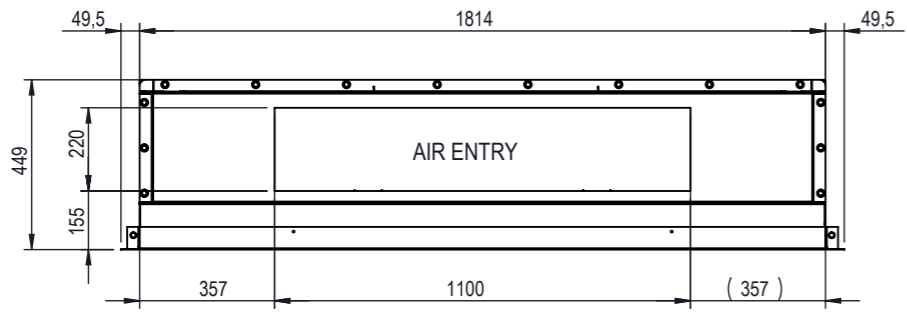


REVISION	DESCRIPTION	DATE	DESIGN	APPROVED
C	AIRFLOW AND AIRSPEED VALUES CHANGED	4.7.2018	MAM <i>MAM</i>	VPA <i>VPA</i>

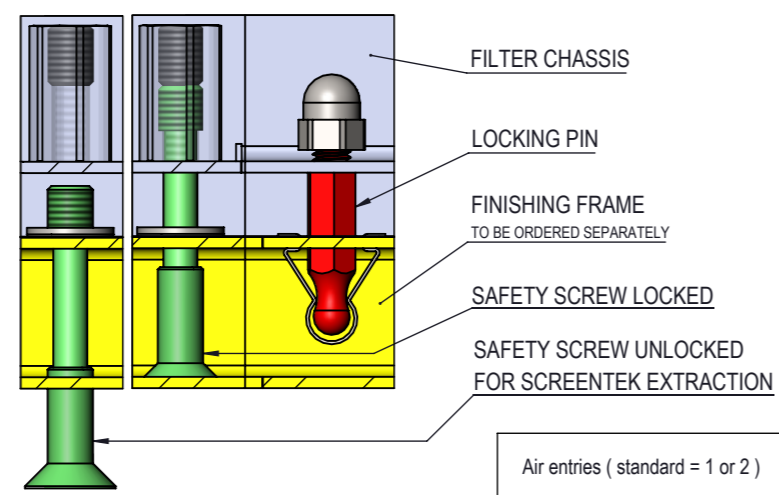
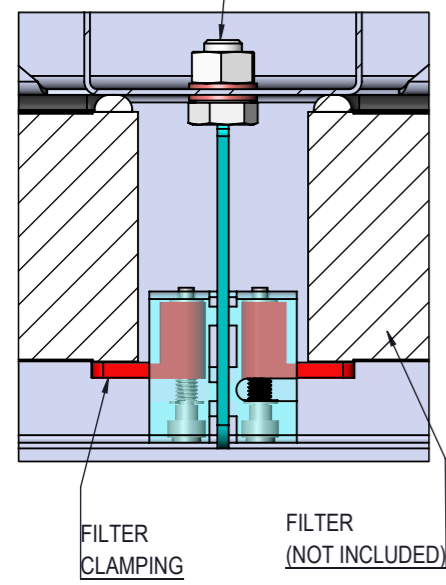
A
B
C
D
E
F



DETAIL A
30 HINGE SUPPORT POINTS ON PERIPHERY

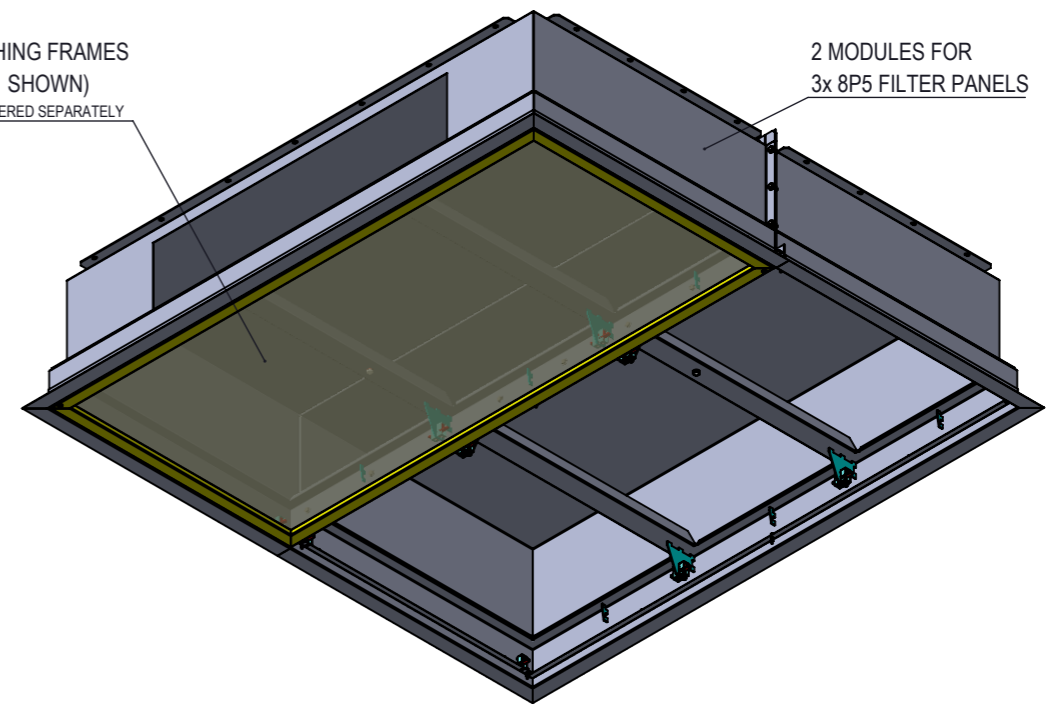


DP PORT PLUG
(OPTIONALLY TO BE REPLACED BY DP PORT KIT - NOT INCLUDED)
1 OPTION / MODULE
TO BE ORDERED SEPARATELY
NO. 5526-3500-930)



2 FINISHING FRAMES (ONLY 1 SHOWN)
TO BE ORDERED SEPARATELY

2 MODULES FOR 3x 8P5 FILTER PANELS



	Air entries (standard = 1 or 2)		Air speed @		
	(mm)	(mm)	0,25m/s	0,3m/s	0,45m/s
<input checked="" type="checkbox"/> std	220 x 1100	-	2,9	3,5	5,3
<input type="checkbox"/> std	220 x 600	220 x 600	2,7	3,2	4,9
<input type="checkbox"/> cust	_ x _	_ x _			

- Carbon Steel 1.0038 (S235JRG2) Powder Coated to Camfil SPEC025
- RAL 9010
- RAL _____
- Stainless Steel 1.4307 (304L) pickled - glass blasted
- Stainless Steel 1.4404 (316L) pickled - glass blasted

- Approved
- Approved as noted
- Revise and Resubmit

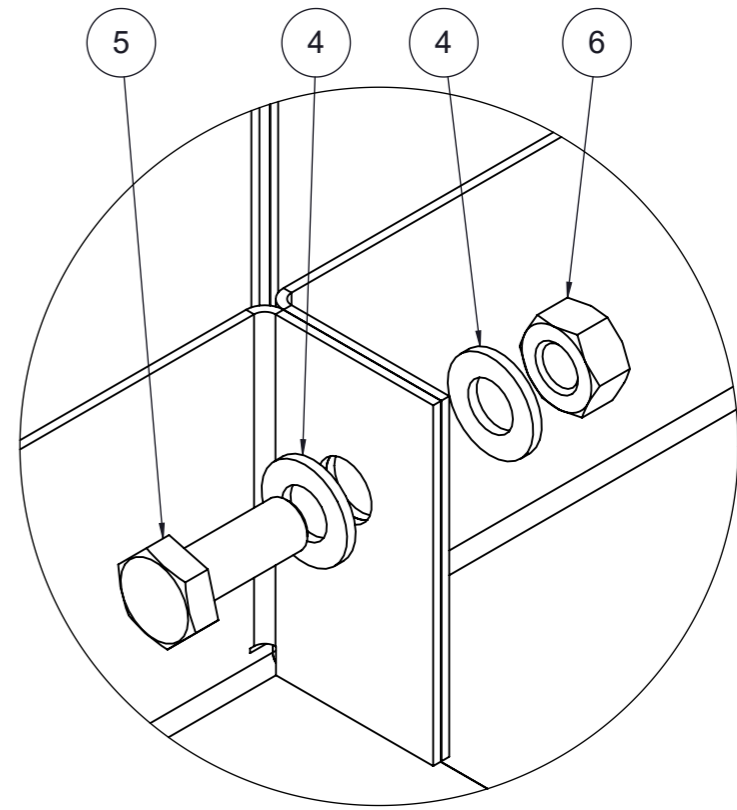
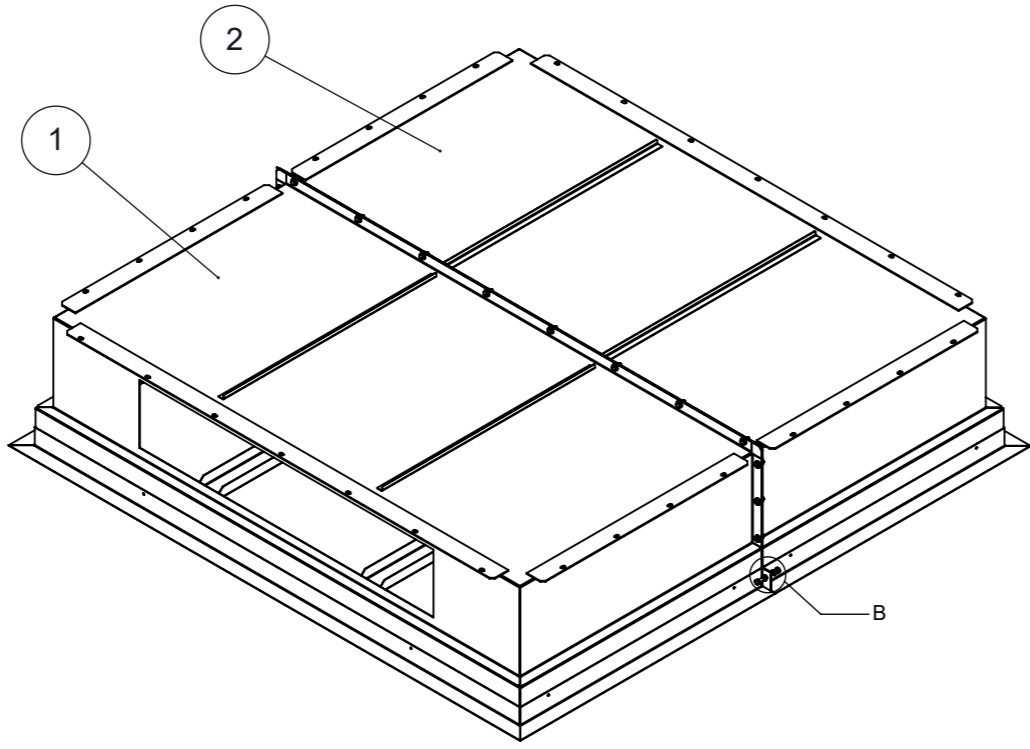


NAME: _____	SIGNATURE: _____		
COMPANY: _____	DATE: _____		
DESCRIPTION CamHosp 2 Type 1,5			
PROJECT -	LAST REVISION 4.7.2018	WEIGHT 109.20 kg	
DRAWING REF. 5526-1500-000	SHEET 1	SIZE A3	

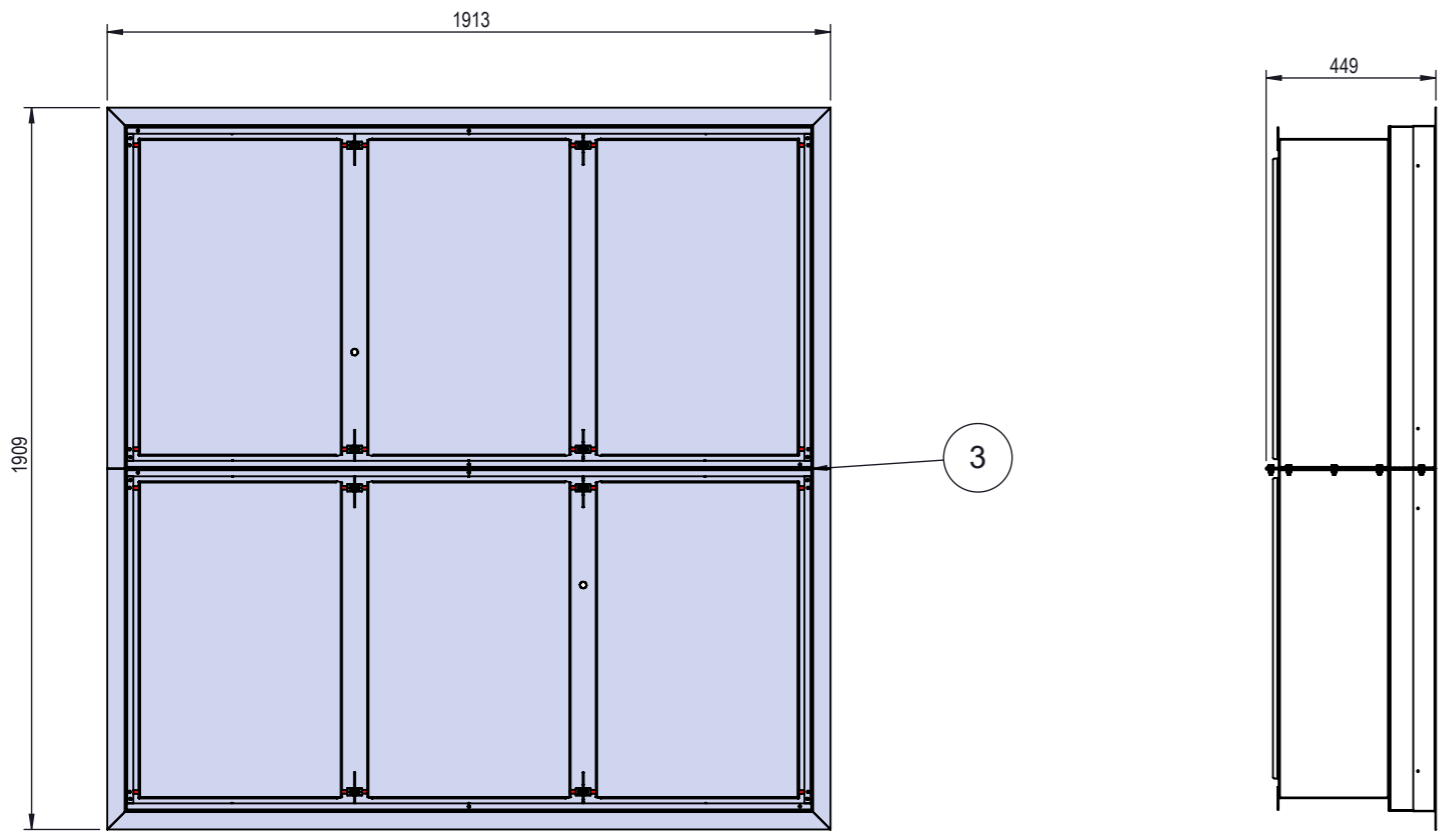
NB: The copyright of this drawing remains with Camfil. Contents must not be used, copied or disclosed to third parties without prior written consent. All rights reserved.

1 2 3 4 5 6 7 8

REVISION	DESCRIPTION	DATE	DESIGN	APPROVED
C	AIRFLOW AND AIRSPEED VALUES CHANGED	4.7.2018	MAM <i>[Signature]</i>	VPA <i>[Signature]</i>



DETAIL B



ITEM	DRAWING NUMBER	DESCRIPTION	QTY.	CAMHOSP PAINTED MATERIAL	CAMHOSP PAINTED FINISH	CAMHOSP SS 304L MATERIAL	CAMHOSP SS 304L FINISH
1	5526-1511-100	MODULE ASSEMBLY 3X8P5	1	SHEETMETAL - EN10025-2 - S235JR(G2) (1.0038) 1,5mm	Painted RAL 9010 according SPEC025TEC	SHEETMETAL 304L - EN10088 - X2CrNi18-09 (1.4307) 1,5mm	Pickled passivated
2	5526-1510-100	MODULE ASSEMBLY 3X8P5	1	SHEETMETAL - EN10025-2 - S235JR(G2) (1.0038) 1,5mm	Painted RAL 9010 according SPEC025TEC	SHEETMETAL 304L - EN10088 - X2CrNi18-09 (1.4307) 1,5mm	Pickled passivated
3	5526-1500-910	GASKET KIT	1	EPDM - ASTM D 1056 - 2 A2 black	-	EPDM - ASTM D 1056 - 2 A2 black	-
4	-	Washer - NF E25-513 M8	4	SS A2 (304L)	-	SS A2 (304L)	-
5	-	Hex head screw - ISO 4017 M8x20x20	2	SS A2 (304L)	-	SS A2 (304L)	-
6	-	Hex nut - ISO 4032 M8	2	SS A2 (304L)	-	SS A2 (304L)	-

General tolerances ISO 2768 - vL unless otherwise specified	
DIMENSION	TOLERANCE
< 30	± 1
> 30 to 120	± 1,5
> 120 to 400	± 2,5
> 400 to 1000	± 4
> 1000 to 4000	± 6
> 4000	± 8
Break sharp angles 0,5 to 2	

DESCRIPTION
CamHosp 2 Type 1,5

PROJECT: -

DRAWING REF.: 5526-1500-000

LAST REVISION: 4.7.2018

SHEET: 2

WEIGHT: 109.20 kg

SIZE: A3

SCALE: 1:20

NB: The copyright of this drawing remains with Camfil. Contents must not be used, copied or disclosed to third parties without prior written consent. All rights reserved.