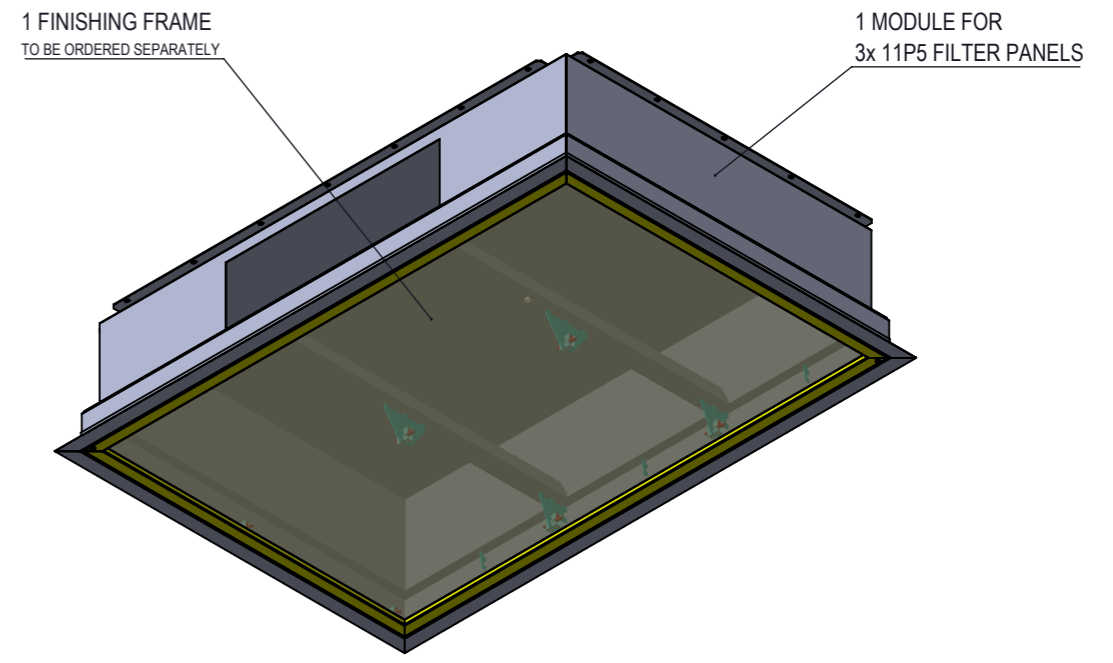
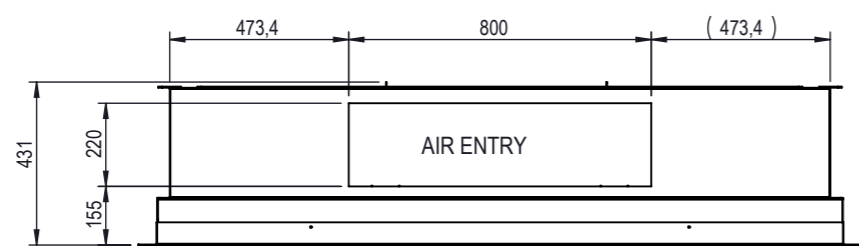
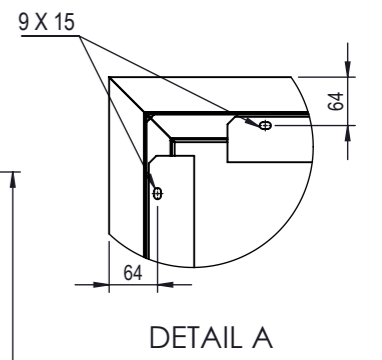
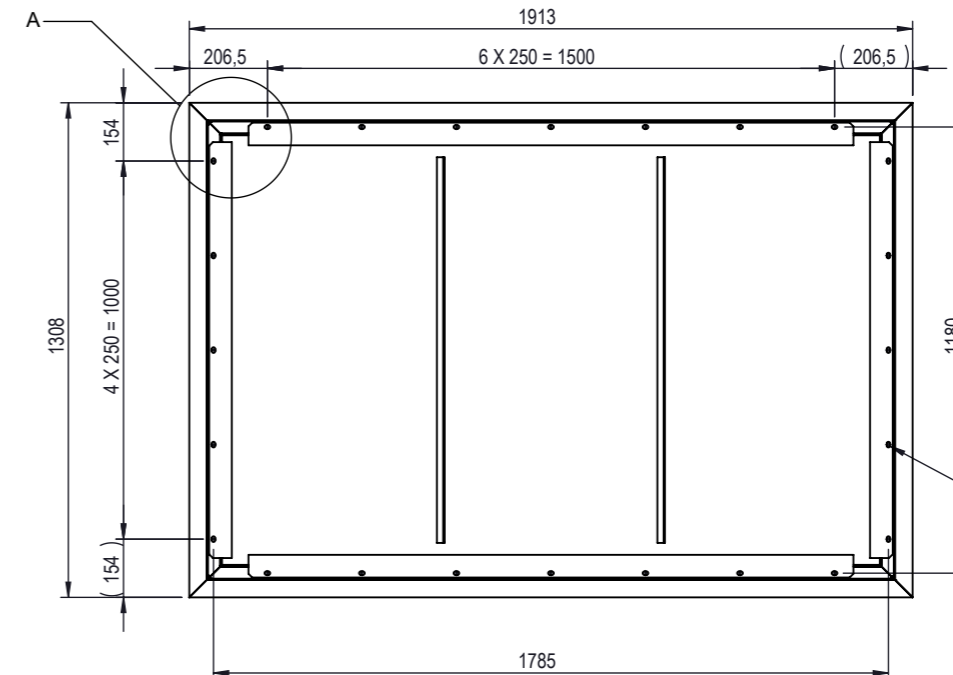
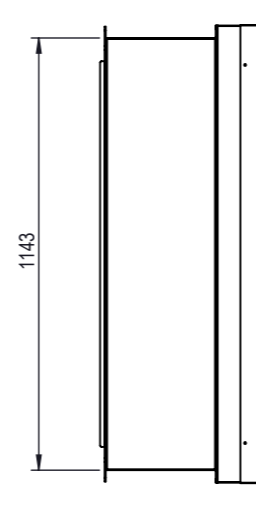
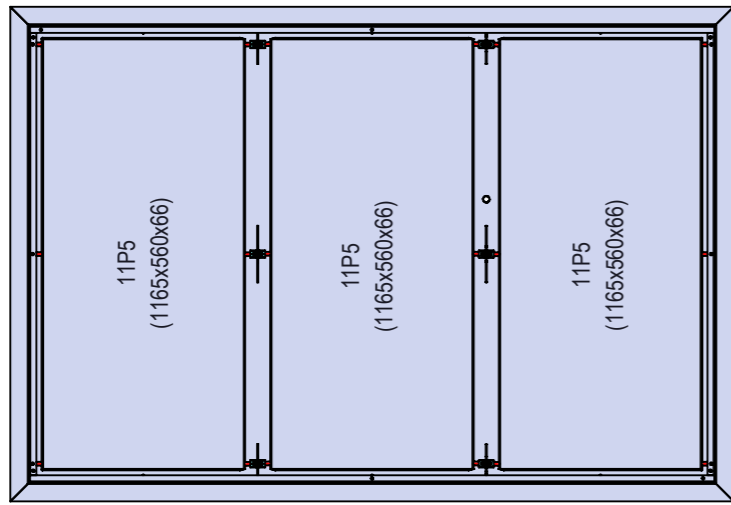
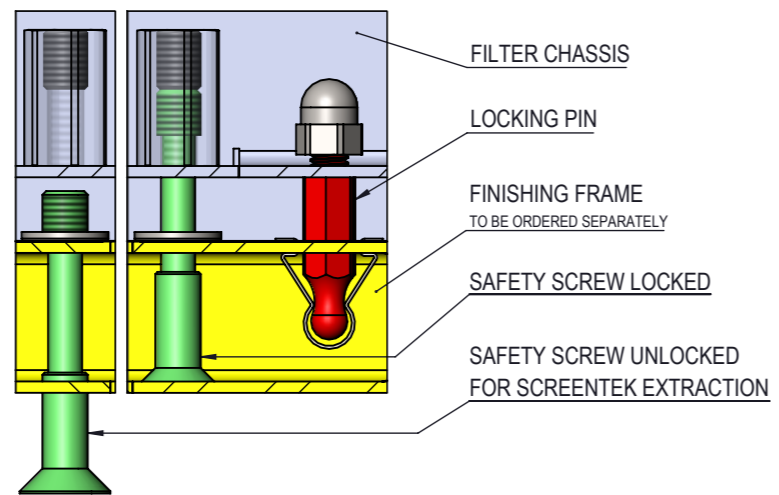
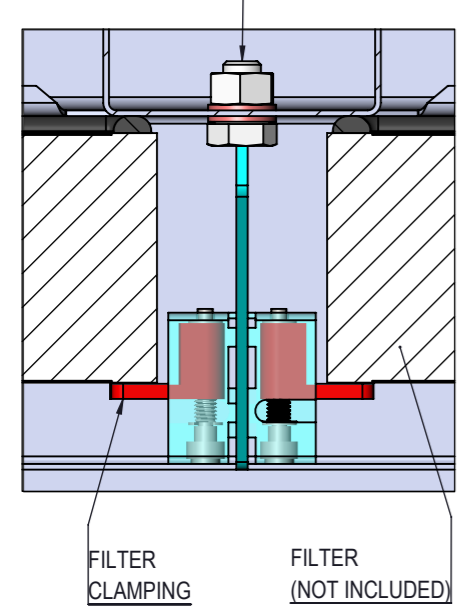


REVISION	DESCRIPTION	DATE	DESIGN	APPROVED
C	AIRFLOW VALUES CHANGED	4.7.2018	MAM <i>[Signature]</i>	VPA <i>[Signature]</i>

A
B
C
D
E
F



DP PORT PLUG
(OPTIONALLY TO BE REPLACED BY DP PORT KIT - NOT INCLUDED)
1 OPTION / MODULE
TO BE ORDERED SEPARATELY
NO. 5526-3500-930)



- Carbon Steel 1.0038 (S235JRG2) Powder Coated to Camfil SPEC025
- RAL 9010
- RAL _____
- Approved
- Approved as noted
- Revise and Resubmit
- Stainless Steel 1.4307 (304L) pickled - glass blasted
- Stainless Steel 1.4404 (316L) pickled - glass blasted

NAME: _____ SIGNATURE: _____			
COMPANY: _____ DATE: _____			
DESCRIPTION CamHosp 2 Type 1			
PROJECT -	LAST REVISION 4.7.2018	WEIGHT 76.12 kg	
DRAWING REF. 5526-1000-000	SHEET 1	SIZE A3	

	Air entries (standard = 1)		Air speed @		
	(mm)	(mm)	1760m³/h	2110m³/h	3160m³/h
<input checked="" type="checkbox"/> std	220 x 800	-	0,25m/s	0,3m/s	0,45m/s
<input type="checkbox"/> cust	_x_	_x_			

NB: The copyright of this drawing remains with Camfil. Contents must not be used, copied or disclosed to third parties without prior written consent. All rights reserved.

1 2 3 4 5 6 7 8

1 2 3 4 5 6 7 8

REVISION	DESCRIPTION	DATE	DESIGN	APPROVED
C	AIRFLOW VALUES CHANGED	4.7.2018	MAM <i>[Signature]</i>	VPA <i>[Signature]</i>

A

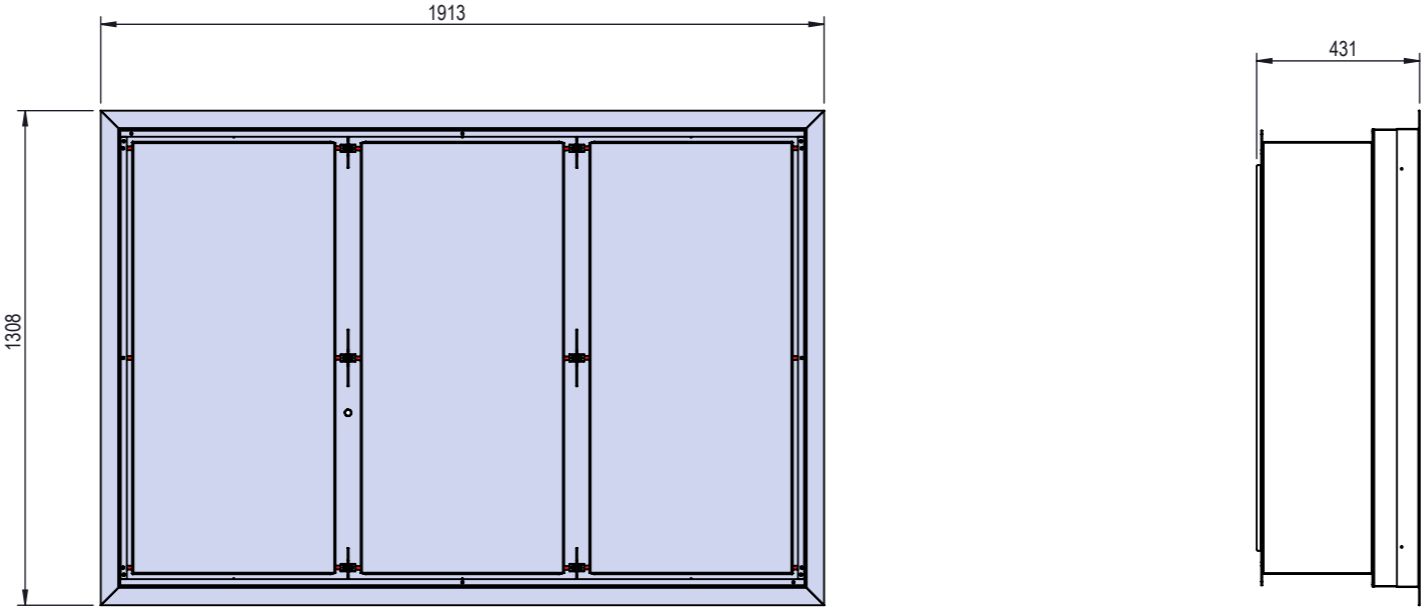
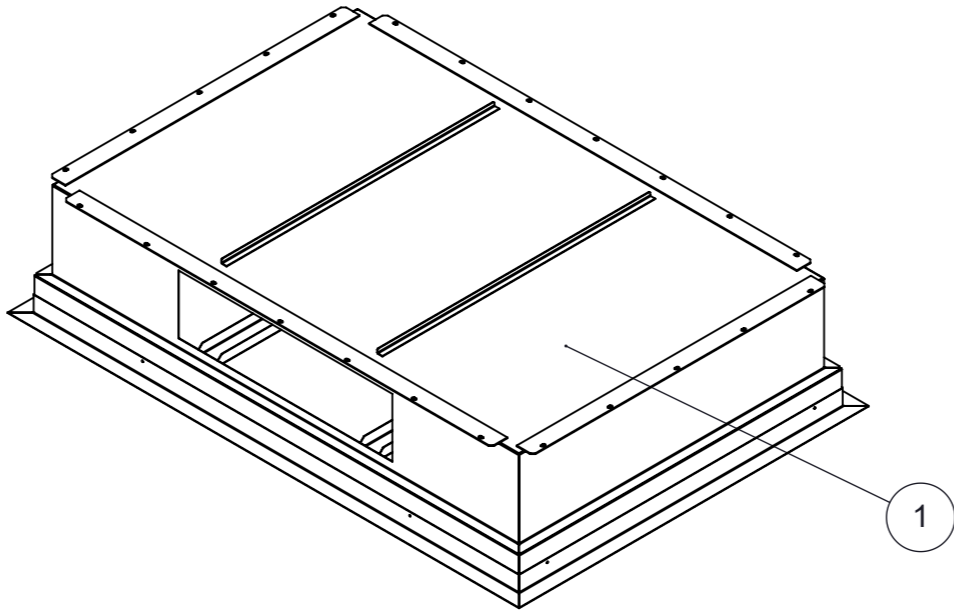
B

C

D

E

F



ITEM	DRAWING NUMBER	DESCRIPTION	QTY.	CAMHOSP PAINTED MATERIAL	CAMHOSP PAINTED FINISH	CAMHOSP SS 304L MATERIAL	CAMHOSP SS 304L FINISH
1	5526-1010-100	MODULE ASSEMBLY 3X11P5	1	SHEETMETAL - EN10025-2 - S235JR(G2) (1.0038) 1,5mm	Painted RAL 9010 according SPEC025TEC	SHEETMETAL 304L - EN10088 - X2CrNi18-09 (1.4307) 1,5mm	Pickled passivated

General tolerances ISO 2768 - vL unless otherwise specified	
DIMENSION	TOLERANCE
< 30	± 1
> 30 to 120	± 1,5
> 120 to 400	± 2,5
> 400 to 1000	± 4
> 1000 to 4000	± 6
> 4000	± 8
Break sharp angles 0,5 to 2	



DESCRIPTION			
CamHosp 2 Type 1			
PROJECT	LAST REVISION	WEIGHT	
-	4.7.2018	76.12 kg	
DRAWING REF.	SHEET	SIZE	SCALE
5526-1000-000	2	A3	1:20

NB: The copyright of this drawing remains with Camfil. Contents must not be used, copied or disclosed to third parties without prior written consent. All rights reserved.

1 2 3 4 5 6 7 8