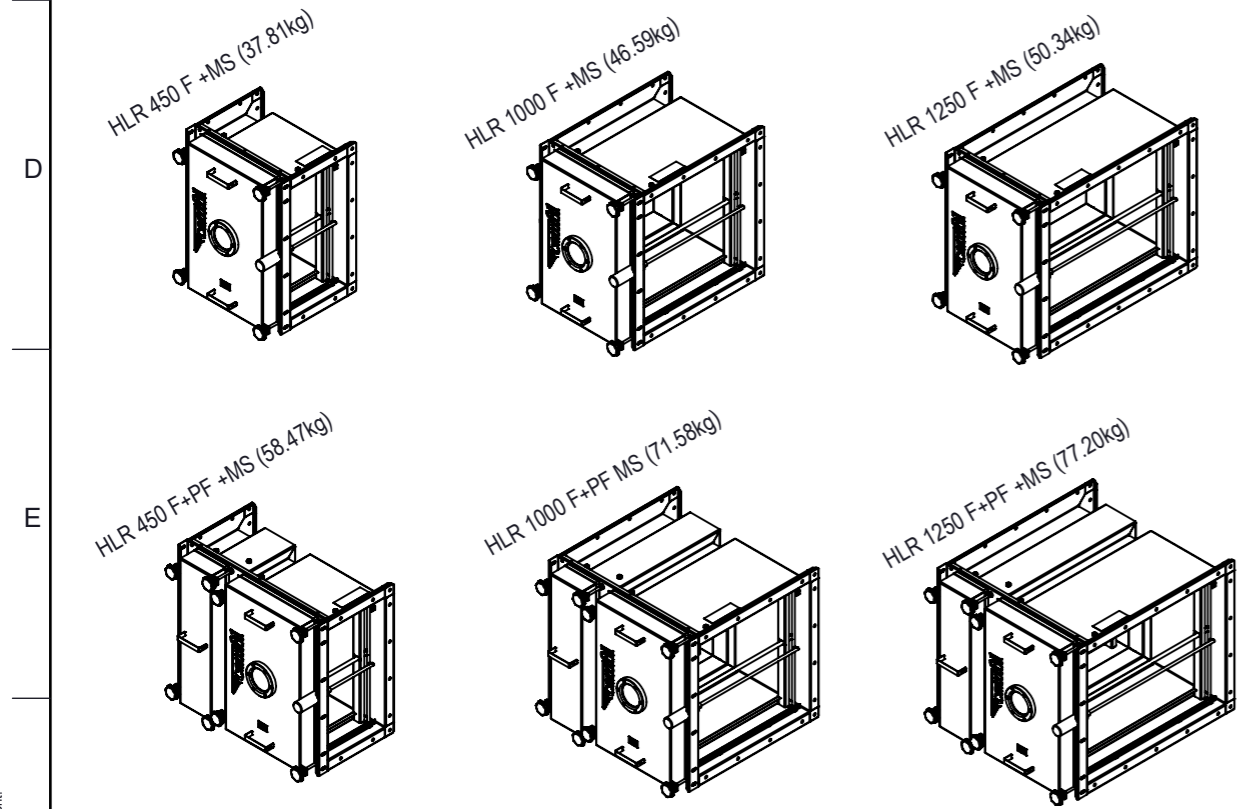
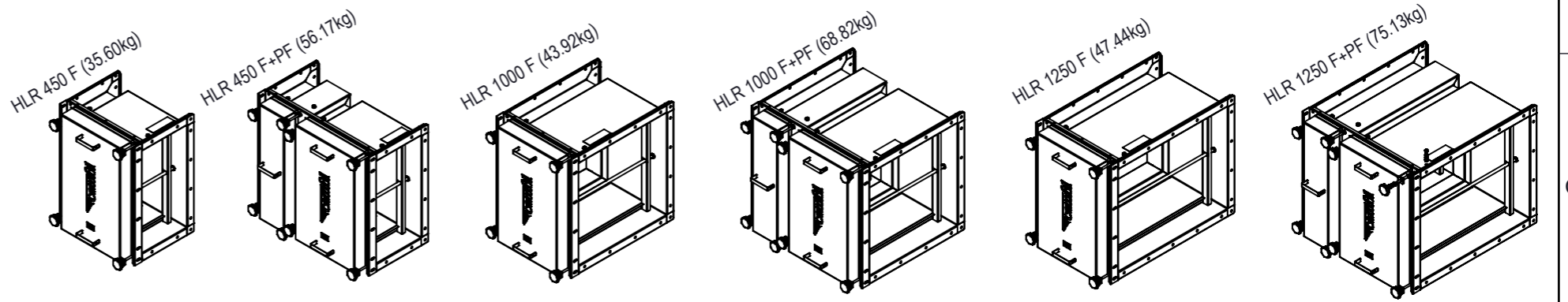
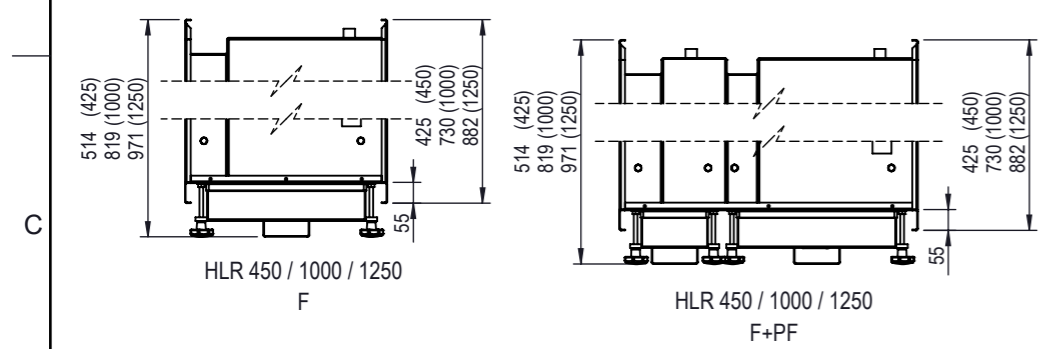
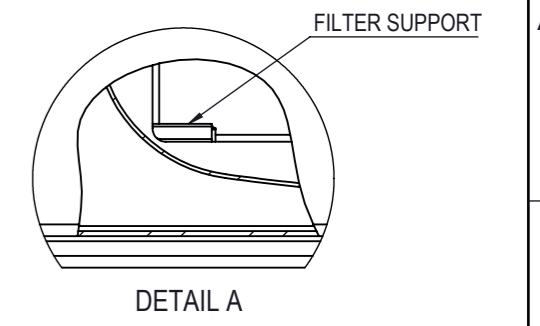
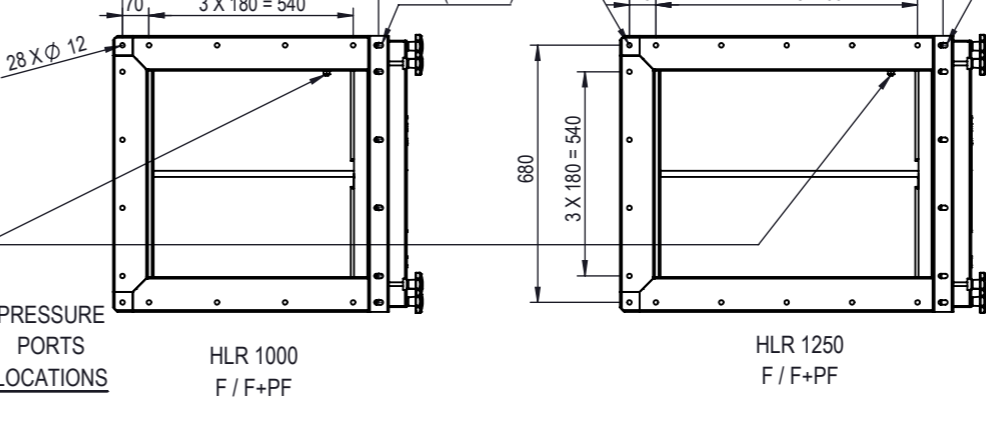
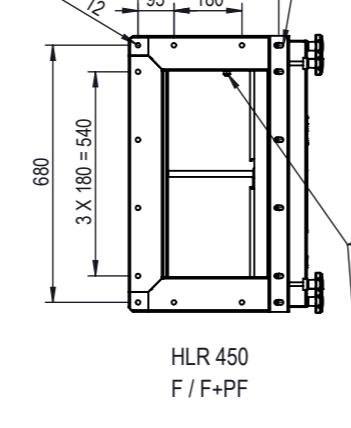
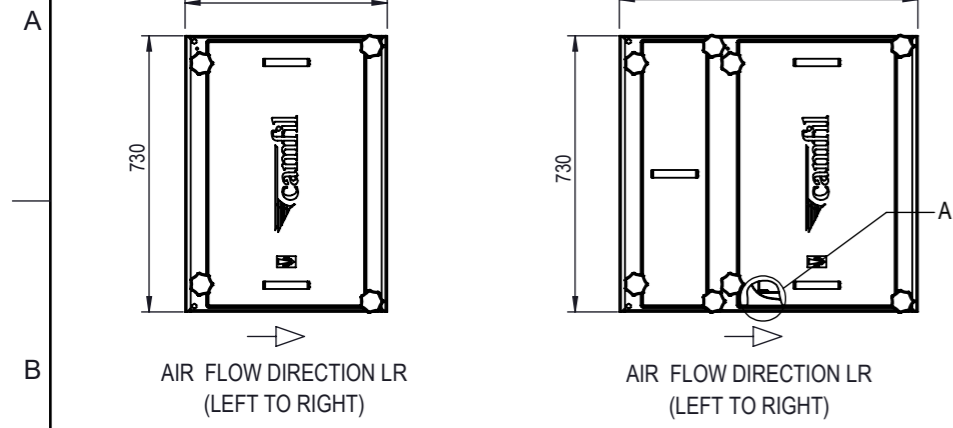


REV.	CHANGE	DATE	DESIGNED	APPROVED
D	ITEM NUMBERS CHANGED	20.08.2021	RIL	VPA



CAMSAFE HORIZONTAL FLOW LR FILTER / FILTER + PREFILTER																		
CAMSAFE 2 HLR																		
Version	450/3P6 1F			450/3P6 1F+PF			1000/6P6 1F			1000/6P6 1F+PF			1250/7P6 1F		1250/7P6 1F+PF			
Size	450/3P6 1F			450/3P6 1F+PF			1000/6P6 1F			1000/6P6 1F+PF			1250/7P6 1F		1250/7P6 1F+PF			
Drawing	5349-1150-001			5349-3150-001			5349-1100-001			5349-3100-001			5369-1100-001		5369-3100-001			
Material / Finish	Painted *	316L *	304L *	Painted *	316L *	304L *	Painted *	316L *	304L *	Painted *	316L *	304L *	Painted *	316L *	304L *	Painted *	316L *	304L *
Item No.	1072855	1072512	1072394	1072859	1072516	1072401	1072894	1072552	1072438	1072898	1072556	1072442	1072924	1076908	1076907	1076940	1076943	1076942
CAMSAFE 2 HLR +EX																		
Version	450/3P6 1F			450/3P6 1F+PF			1000/6P6 1F			1000 F + PF			-		-			
Size	450/3P6 1F			450/3P6 1F+PF			1000/6P6 1F			1000 F + PF			-		-			
Drawing	5379-1150-001			5379-3150-001			5379-1100-001			5379-3100-001			-		-			
Material / Finish	Painted *	316L *	304L *	Painted *	316L *	304L *	Painted *	316L *	304L *	Painted *	316L *	304L *	Painted *	316L *	304L *	Painted *	316L *	304L *
Item No.	1072857	1072514	1072398	1072861	1072518	1072403	1072896	1072554	1072440	1072900	1072558	1072444	-	-	-	-	-	-
CAMSAFE 2 HLR +MS +W																		
Version	450/3P6 1F			450/3P6 1F+PF			1000/6P6 1F			1000/6P6 1F+PF			1250/7P6 1F		1250/7P6 1F+PF			
Size	450/3P6 1F			450/3P6 1F+PF			1000/6P6 1F			1000/6P6 1F+PF			1250/7P6 1F		1250/7P6 1F+PF			
Drawing	5859-1150-001			5859-3150-001			5859-1100-001			5859-3100-001			5869-1100-001		5869-3100-001			
Material / Finish	Painted *	316L *	304L *	Painted *	316L *	304L *	Painted *	316L *	304L *	Painted *	316L *	304L *	Painted *	316L *	304L *	Painted *	316L *	304L *
Item No.	1072864	1076902	1076901	1076933	1076936	1076935	1072904	1076905	1076904	1072905	1076939	1076938	1076912	1076915	1076914	1076948	1076951	1076950
CAMSAFE 2 HLR +W																		
Version	450/3P6 1F			450/3P6 1F+PF			1000/6P6 1F			1000/6P6 1F+PF			1250/7P6 1F		1250/7P6 1F+PF			
Size	450/3P6 1F			450/3P6 1F+PF			1000/6P6 1F			1000/6P6 1F+PF			1250/7P6 1F		1250/7P6 1F+PF			
Drawing	5359-1150-001			5359-3150-001			5359-1100-001			5359-3100-001			5339-1100-001		5339-3100-001			
Material / Finish	Painted *	316L *	304L *	Painted *	316L *	304L *	Painted *	316L *	304L *	Painted *	316L *	304L *	Painted *	316L *	304L *	Painted *	316L *	304L *
Item No.	1072856	1072513	1072397	1072860	1072517	1072402	1072895	1072553	1072439	1072899	1072557	1072443	1072925	1076911	1076910	1076944	1076947	1076946
CAMSAFE HLR +EX +W																		
Version	450/3P6 1F			450/3P6 1F+PF			1000/6P6 1F			1000/6P6 1F+PF			-		-			
Size	450/3P6 1F			450/3P6 1F+PF			1000/6P6 1F			1000/6P6 1F+PF			-		-			
Drawing	5379-1155-001			5379-3155-001			5379-1105-001			5379-3105-001			-		-			
Material / Finish	Painted *	316L *	304L *	Painted *	316L *	304L *	Painted *	316L *	304L *	Painted *	316L *	304L *	Painted *	316L *	304L *	Painted *	316L *	304L *
Item No.	1072858	1072515	1072400	1072862	1072519	1072404	1072897	1072555	1072441	1072901	1072559	1072445	-	-	-	-	-	-
Material	Painted *						316L *						304L *					
Material	SHEETMETAL - EN10025-2 - S235JR(G2) (1.0038)						SHEETMETAL 316L - EN10088-2 - X2CrNiMo17-12-2+2B (1.4404)						SHEETMETAL 304L - EN10088 - X2CrNi18-9 (1.4307)					
Finish	Painted RAL 9010 SPEC025						Pickled & Glass Blasted SPEC026						Pickled & Glass Blasted SPEC026					

General tolerances ISO 2768 - vL unless otherwise specified	
DIMENSION	TOLERANCE
< 30	± 1
> 30 to 120	± 1,5
> 120 to 400	± 2,5
> 400 to 1000	± 4
> 1000 to 4000	± 6
> 4000	± 8
Break sharp angles 0,5 to 2	



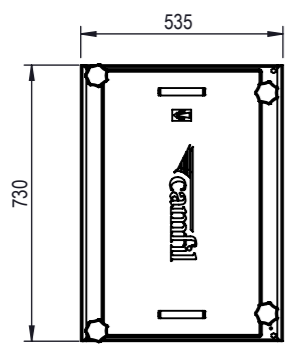
DESCRIPTION			
CamSafe CS2 F / F+PF Horizontal flow STD Scope			
PROJECT	LAST REVISION	WEIGHT	
-	20.08.2021	see drawing	
DRAWING REF.	SHEET	SIZE	SCALE
5349-0000-103	1/2	A3	1:20

NB: The copyright of this drawing remains with Camfil. Contents must not be used, copied or disclosed to third parties without prior written consent. All rights reserved.

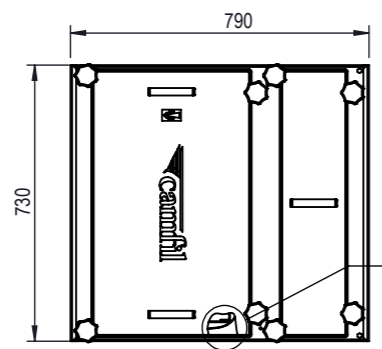
REV.	CHANGE	DATE	DESIGNED	APPROVED
D	ITEM NUMBERS CHANGED	20.08.2021	RIL	VPA

A  
B  
C  
D  
E  
F

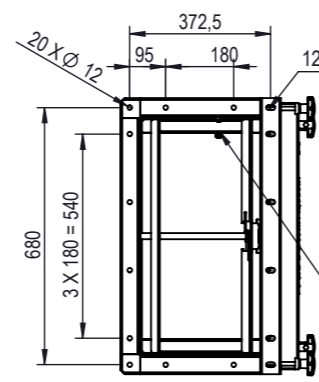
A  
B  
C  
D  
E  
F



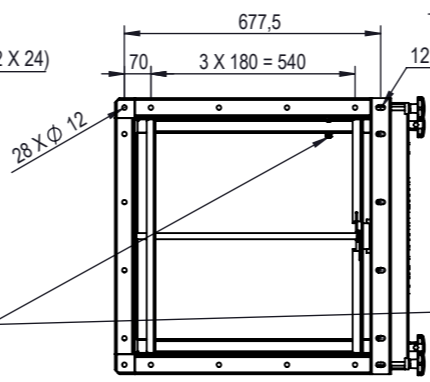
AIR FLOW DIRECTION RL  
(RIGHT TO LEFT)



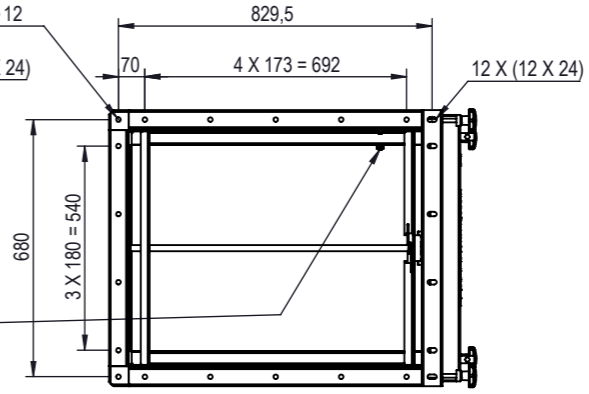
AIR FLOW DIRECTION RL  
(RIGHT TO LEFT)



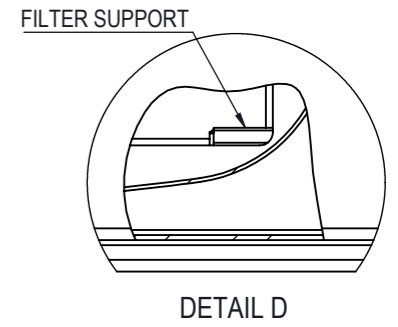
HRL 450  
F / F+PF



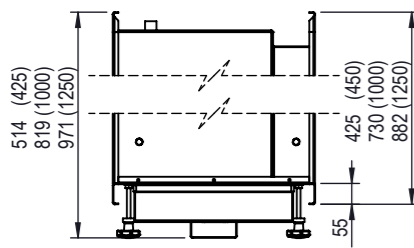
HRL 1000  
F / F+PF



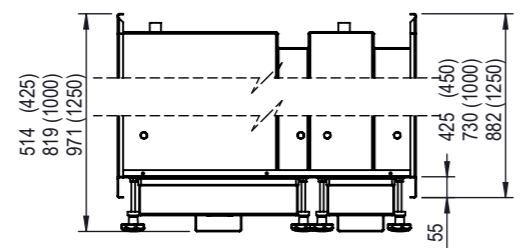
HRL 1250  
F / F+PF



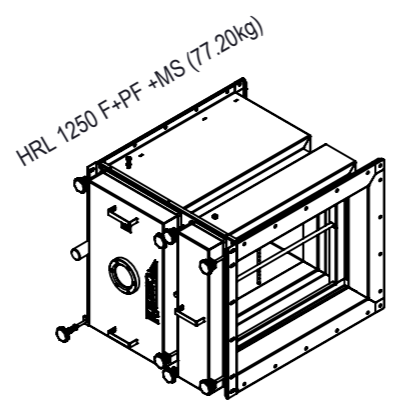
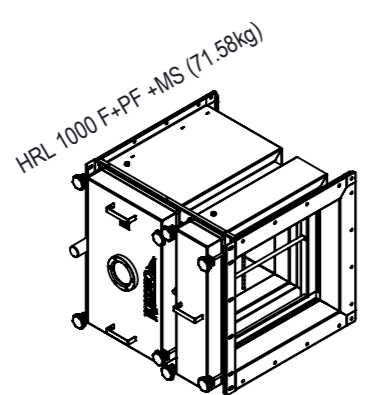
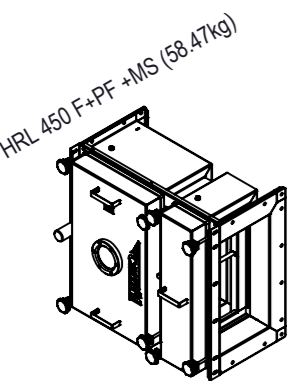
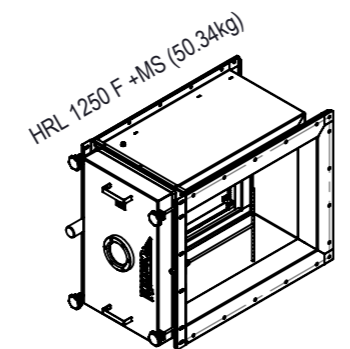
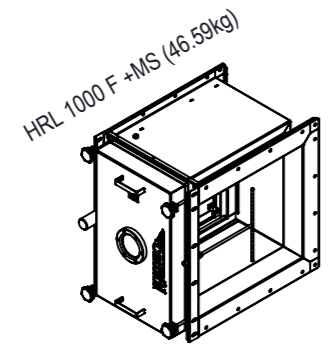
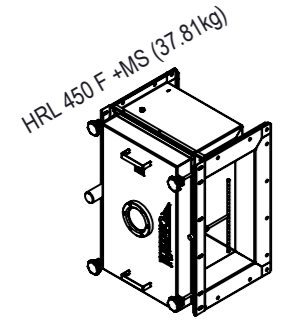
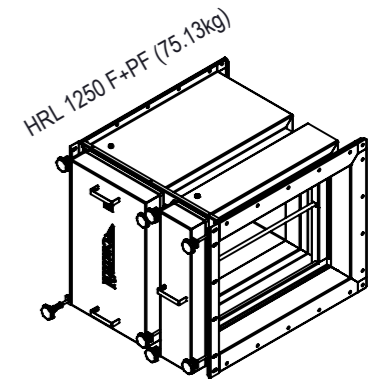
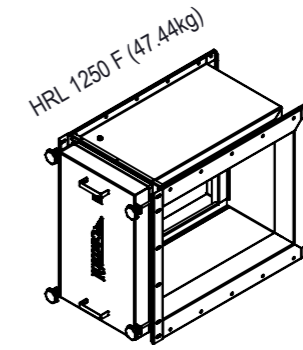
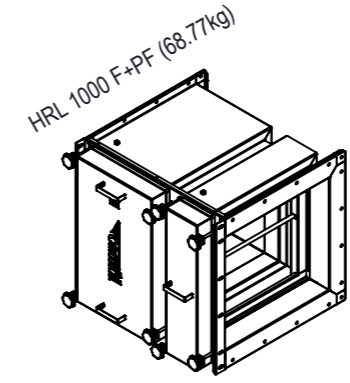
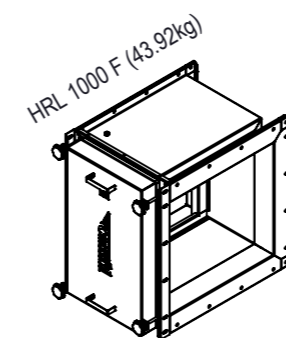
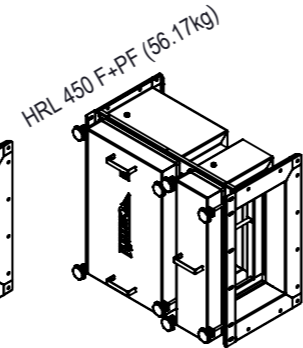
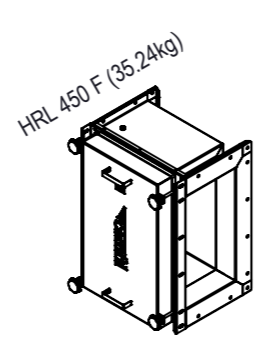
DETAIL D



HRL 450 / 1000 / 1250  
F



HRL 450 / 1000 / 1250  
F+PF



CAMSAFE HORIZONTAL FLOW RL FILTER / FILTER + PREFILTER																		
CAMSAFE 2 HRL																		
Version	450/3P6 1F			450/3P6 1F+PF			1000/6P6 1F			1000/6P6 1F+PF			1250/7P6 1F			1250/7P6 1F+PF		
Size	450/3P6 1F			450/3P6 1F+PF			1000/6P6 1F			1000/6P6 1F+PF			1250/7P6 1F			1250/7P6 1F+PF		
Drawing	5349-2150-001			5349-4150-001			5349-2100-001			5349-4100-001			5369-2100-001			5369-4100-001		
Material / Finish	Painted *	316L *	304L *	Painted *	316L *	304L *	Painted *	316L *	304L *	Painted *	316L *	304L *	Painted *	316L *	304L *	Painted *	316L *	304L *
Item No.	1072847	1072503	1072386	1072851	1072507	1072390	1072886	1072544	1072430	1072890	1072548	1072434	1072923	1076924	1076923	1076959	1076962	1076961
CAMSAFE 2 HRL +EX																		
Version	450/3P6 1F			450/3P6 1F+PF			1000/6P6 1F			1000/6P6 1F+PF			-			-		
Size	450/3P6 1F			450/3P6 1F+PF			1000/6P6 1F			1000/6P6 1F+PF			-			-		
Drawing	5379-2150-001			5379-4150-001			5379-2100-001			5379-4100-001			-			-		
Material / Finish	Painted *	316L *	304L *	Painted *	316L *	304L *	Painted *	316L *	304L *	Painted *	316L *	304L *	Painted *	316L *	304L *	Painted *	316L *	304L *
Item No.	1072849	1072505	1072388	1072853	1072510	1072392	1072888	1072546	1072432	1072892	1072550	1072436	-	-	-	-	-	-
CAMSAFE 2 HRL +MS +W																		
Version	450/3P6 1F			450/3P6 1F+PF			1000/6P6 1F			1000/6P6 1F+PF			1250/7P6 1F			1250/7P6 1F+PF		
Size	450/3P6 1F			450/3P6 1F+PF			1000/6P6 1F			1000/6P6 1F+PF			1250/7P6 1F			1250/7P6 1F+PF		
Drawing	5859-2150-001			5859-4150-001			5859-2100-001			5859-4100-001			5869-2100-001			5869-4100-001		
Material / Finish	Painted *	316L *	304L *	Painted *	316L *	304L *	Painted *	316L *	304L *	Painted *	316L *	304L *	Painted *	316L *	304L *	Painted *	316L *	304L *
Item No.	1072863	1076918	1076917	1076952	1076955	1076954	1072902	1076921	1076920	1072903	1076958	1076957	1076929	1076932	1076931	1076967	1076970	1076969
CAMSAFE 2 HRL +W																		
Version	450/3P6 1F			450/3P6 1F+PF			1000/6P6 1F			1000/6P6 1F+PF			1250/7P6 1F			1250/7P6 1F+PF		
Size	450/3P6 1F			450/3P6 1F+PF			1000/6P6 1F			1000/6P6 1F+PF			1250/7P6 1F			1250/7P6 1F+PF		
Drawing	5359-2150-001			5359-4150-001			5359-2100-001			5359-4100-001			5339-2100-001			5339-4100-001		
Material / Finish	Painted *	316L *	304L *	Painted *	316L *	304L *	Painted *	316L *	304L *	Painted *	316L *	304L *	Painted *	316L *	304L *	Painted *	316L *	304L *
Item No.	1072848	1072504	1072387	1072852	1072508	1072391	1072887	1072545	1072431	1072891	1072549	1072435	1076925	1076928	1076927	1076963	1076966	1076965
CAMSAFE HRL +EX +W																		
Version	450/3P6 1F			450/3P6 1F+PF			1000/6P6 1F			1000/6P6 1F+PF			-			-		
Size	450/3P6 1F			450/3P6 1F+PF			1000/6P6 1F			1000/6P6 1F+PF			-			-		
Drawing	5379-2155-001			5379-4155-001			5379-2105-001			5379-4105-001			-			-		
Material / Finish	Painted *	316L *	304L *	Painted *	316L *	304L *	Painted *	316L *	304L *	Painted *	316L *	304L *	Painted *	316L *	304L *	Painted *	316L *	304L *
Item No.	1072850	1072506	1072389	1072854	1072511	1072393	1072889	1072547	1072433	1072893	1072551	1072437	-	-	-	-	-	-
Material	Painted *						316L *						304L *					
Material	SHEETMETAL - EN10025-2 - S235JR(G2) (1.0038)						SHEETMETAL 316L - EN10088-2 - X2CrNiMo17-12-2+2B (1.4404)						SHEETMETAL 304L - EN10088 - X2CrNi18-09 (1.4307)					
Finish	Painted RAL 9010 SPEC025						Pickled & Glass Blasted SPEC026						Pickled & Glass Blasted SPEC026					

NB: The copyright of this drawing remains with Camfil. Contents must not be used, copied or disclosed to third parties without prior written consent. All rights reserved.

General tolerances ISO 2768 - vL unless otherwise specified	
DIMENSION	TOLERANCE
< 30	± 1
> 30 to 120	± 1,5
> 120 to 400	± 2,5
> 400 to 1000	± 4
> 1000 to 4000	± 6
> 4000	± 8
Break sharp angles 0,5 to 2	



DESCRIPTION			
CamSafe CS2 F / F+PF Horizontal flow STD Scope			
PROJECT	LAST REVISION	WEIGHT	
-	20.08.2021	see drawing	
DRAWING REF.	SHEET	SIZE	SCALE
5349-0000-103	2/2	A3	1:20