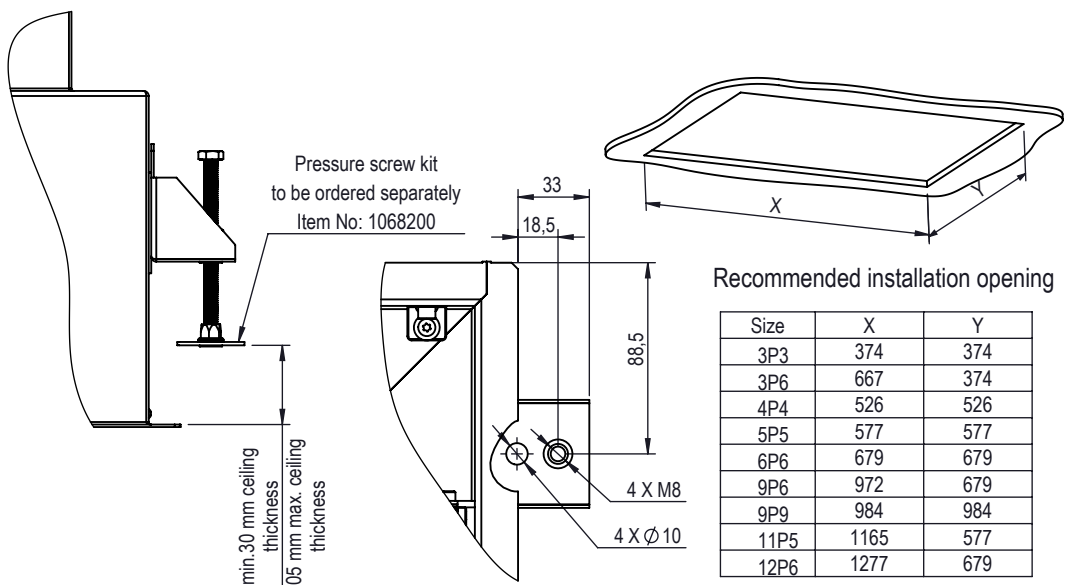


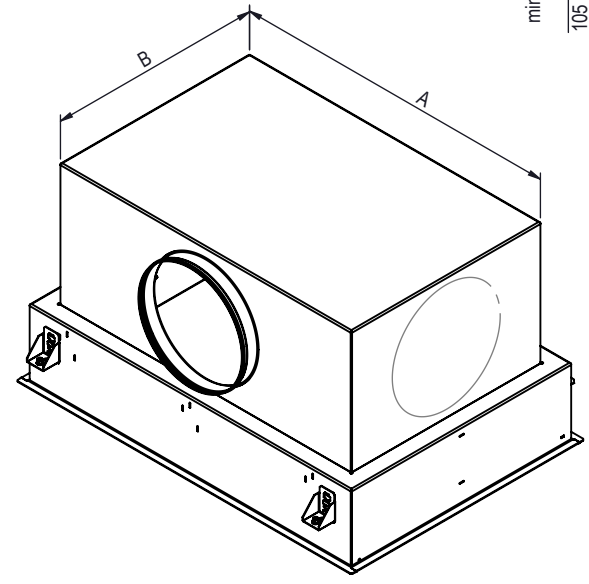
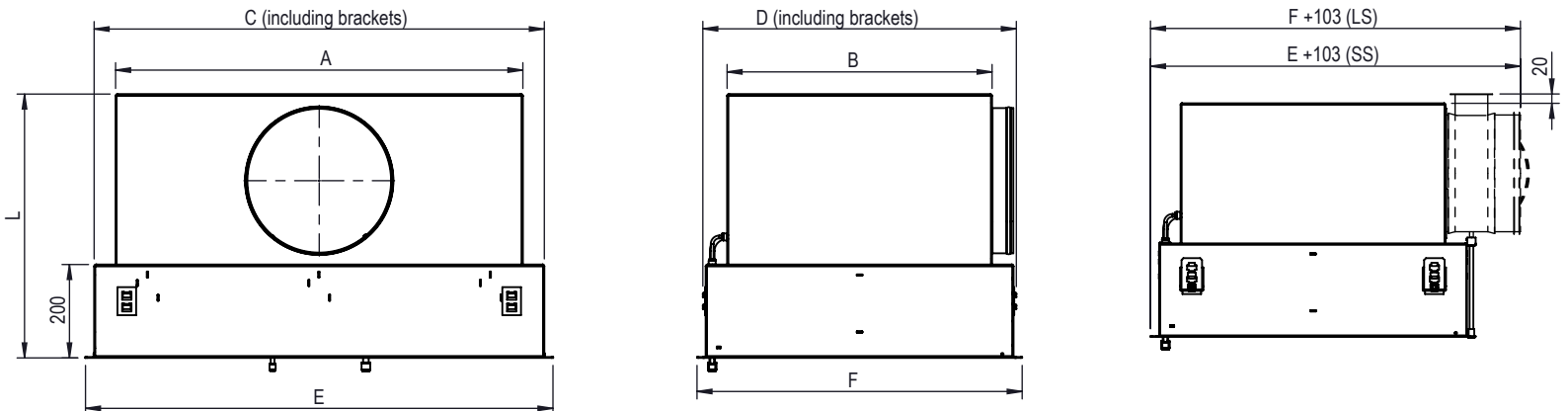
# CL - xx - xPx - G - xx - S - C - xxx - x - xx - A - A - A - 0 - 0

Hood body material		Filter front size		Filter frame height		Air inlet size		Damper		Entry pos.		Customization		
SW	SteelWhite RAL9010	3P3	305x305	MD-66	(Standard)	∅	available for:	N	No Damper	00	All square	X	0	None (Standard)
S4	SS 304	3P6	305x610	MX-90		160	3P3	D	Damper Ready	LS	Long side		9	Custom
S6	SS 316L	4P4	457x457	MG-110		200	3P3, 3P6, 4P4			SS	Short side			
		5P5	508x508			250	3P6, 4P4, 5P5, 6P6							
		6P6	610x610			315	5P5, 6P6, 9P6, 9P9, 11P5, 12P6							
		9P6	915x610			355	6P6, 9P6, 9P9, 11P5, 12P6							
		9P9	915x915											
		11P5	1108x508											
		12P6	1220x610											

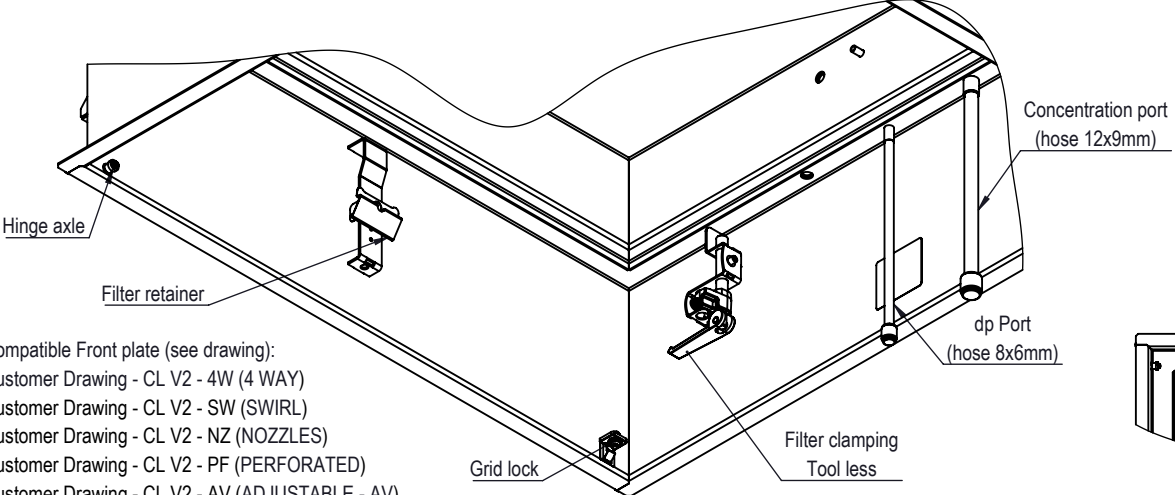
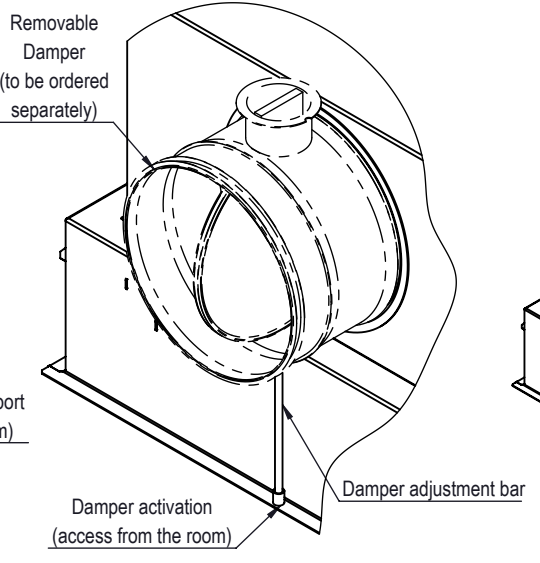
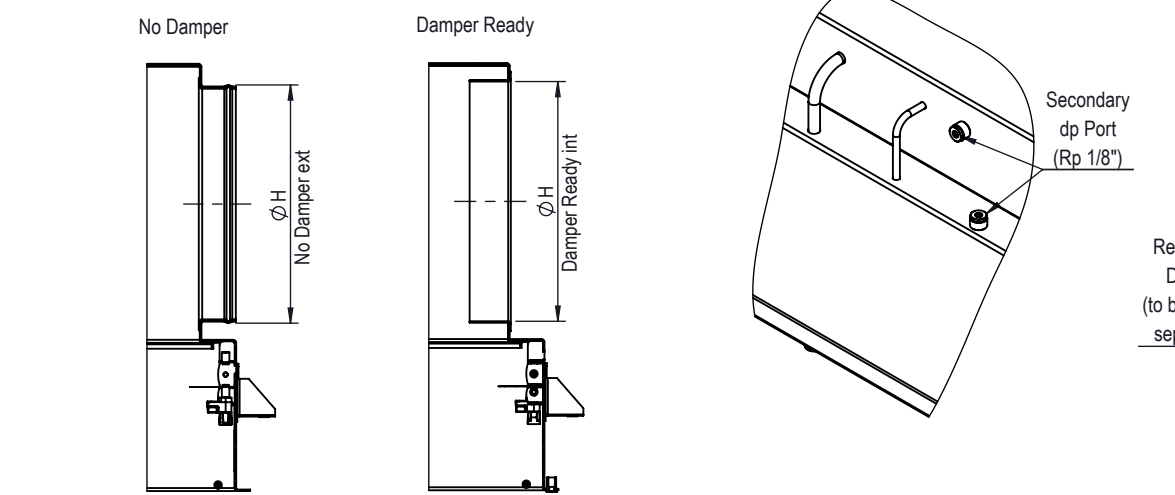


Recommended installation opening

Size	X	Y
3P3	374	374
3P6	667	374
4P4	526	526
5P5	577	577
6P6	679	679
9P6	972	679
9P9	984	984
11P5	1165	577
12P6	1277	679



Description	Item No. (Galvanized)	Item No. (1.4301)
DTU Damper 160	1068187	1085976
DTU Damper 200	1068188	1085977
DTU Damper 250	1068189	1085996
DTU Damper 315	1072146	1085998
DTU Damper 355	1072147	1085999



Compatible Front plate (see drawing):  
 Customer Drawing - CL V2 - 4W (4 WAY)  
 Customer Drawing - CL V2 - SW (SWIRL)  
 Customer Drawing - CL V2 - NZ (NOZZLES)  
 Customer Drawing - CL V2 - PF (PERFORATED)  
 Customer Drawing - CL V2 - AV (ADJUSTABLE - AV)  
 Customer Drawing - CL V2 - SW adj (SWIRL - ABS ADJUSTABLE)

Inlet size	CAD Reference	L	A	B	C	D	E	F	∅ H	Weight [kg]
3P3	CL-V3-3P3-G-S-C-160-N	410	263	263	355	367	392	392	∅ 160	9
	CL-V3-3P3-G-S-C-160-D								∅ 162	
	CL-V3-3P3-G-S-C-200-N								∅ 200	
3P6	CL-V3-3P6-G-S-C-200-D	568	263	660	367	697	392	392	∅ 200	15
	CL-V3-3P6-G-S-C-200-N-LS								∅ 202	
	CL-V3-3P6-G-S-C-200-D-LS								∅ 202	
	CL-V3-3P6-G-S-C-200-N-SS								∅ 202	
	CL-V3-3P6-G-S-C-200-D-SS								∅ 250	
4P4	CL-V3-4P4-G-S-C-200-N	500	415	415	507	519	544	544	∅ 200	15
	CL-V3-4P4-G-S-C-200-D								∅ 202	
	CL-V3-4P4-G-S-C-250-N								∅ 252	
5P5	CL-V3-5P5-G-S-C-250-N	500	466	466	558	570	595	595	∅ 250	18
	CL-V3-5P5-G-S-C-250-D								∅ 252	
	CL-V3-5P5-G-S-C-315-N								∅ 315	
6P6	CL-V3-6P6-G-S-C-250-N	565	568	568	660	672	697	697	∅ 250	23
	CL-V3-6P6-G-S-C-250-D								∅ 252	
	CL-V3-6P6-G-S-C-315-N								∅ 315	
	CL-V3-6P6-G-S-C-315-D								∅ 317	
	CL-V3-6P6-G-S-C-315-N-LS								∅ 315	
9P6	CL-V3-9P6-G-S-C-315-N-LS	605	873	568	965	672	1002	697	∅ 315	41
	CL-V3-9P6-G-S-C-315-D-LS								∅ 317	
	CL-V3-9P6-G-S-C-315-N-SS								∅ 315	
	CL-V3-9P6-G-S-C-315-D-SS								∅ 317	
	CL-V3-9P6-G-S-C-355-N-SS								∅ 357	
9P9	CL-V3-9P9-G-S-C-315-N	605	873	873	965	977	1002	1002	∅ 315	50
	CL-V3-9P9-G-S-C-315-D								∅ 317	
	CL-V3-9P9-G-S-C-355-N								∅ 355	
	CL-V3-9P9-G-S-C-355-D								∅ 357	
	CL-V3-9P9-G-S-C-315-N-SS								∅ 315	
11P5	CL-V3-11P5-G-S-C-315-N-SS	605	1066	466	1158	570	1195	595	∅ 315	42
	CL-V3-11P5-G-S-C-315-D-SS								∅ 317	
	CL-V3-11P5-G-S-C-315-N-LS								∅ 315	
	CL-V3-11P5-G-S-C-315-D-LS								∅ 317	
	CL-V3-11P5-G-S-C-355-N-SS								∅ 355	
12P6	CL-V3-12P6-G-S-C-315-N-SS	605	1178	568	1270	672	1307	697	∅ 315	49
	CL-V3-12P6-G-S-C-315-D-SS								∅ 317	
	CL-V3-12P6-G-S-C-315-N-LS								∅ 315	
	CL-V3-12P6-G-S-C-315-D-LS								∅ 317	
	CL-V3-12P6-G-S-C-355-N-SS								∅ 355	
355	CL-V3-12P6-G-S-C-355-N-LS	605							∅ 357	51
	CL-V3-12P6-G-S-C-355-D-LS								∅ 355	
	CL-V3-12P6-G-S-C-355-N-SS								∅ 357	
	CL-V3-12P6-G-S-C-355-D-SS								∅ 355	
	CL-V3-12P6-G-S-C-355-N-LS								∅ 357	

**camfil**  
European Metal Center

**CleanSeal - GEL - Side Circular**

PROJECT	LAST REVISION	WEIGHT	
DRAWING REF.	SHEET	SIZE	
Scope Drawing - CL-V3-G-S-C	1/2	A3	SCALE

NB: The copyright of this drawing remains with Camfil. Contents must not be used, copied or disclosed to third parties without prior written consent. All rights reserved.

# CL - xx - xPx - G - xx - S - C - xxx - x - xx - A - I - A - 0 - 0

Hood body material	
SW	SteelWhite RAL9010
S4	SS 304
S6	SS 316L

Filter front size	
3P3	305x305
3P6	305x610
4P4	457x457
5P5	508x508
6P6	610x610
9P6	915x610
9P9	915x915
11P5	1108x508
12P6	1220x610

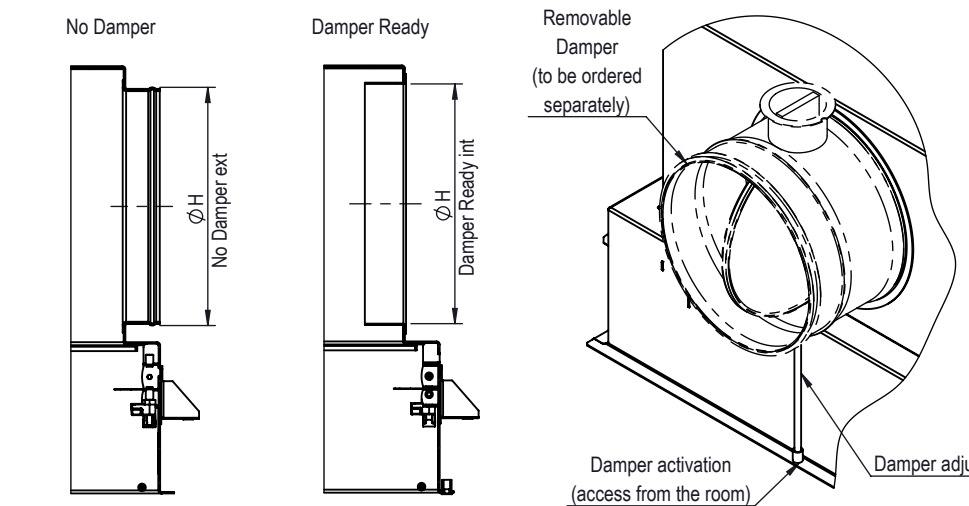
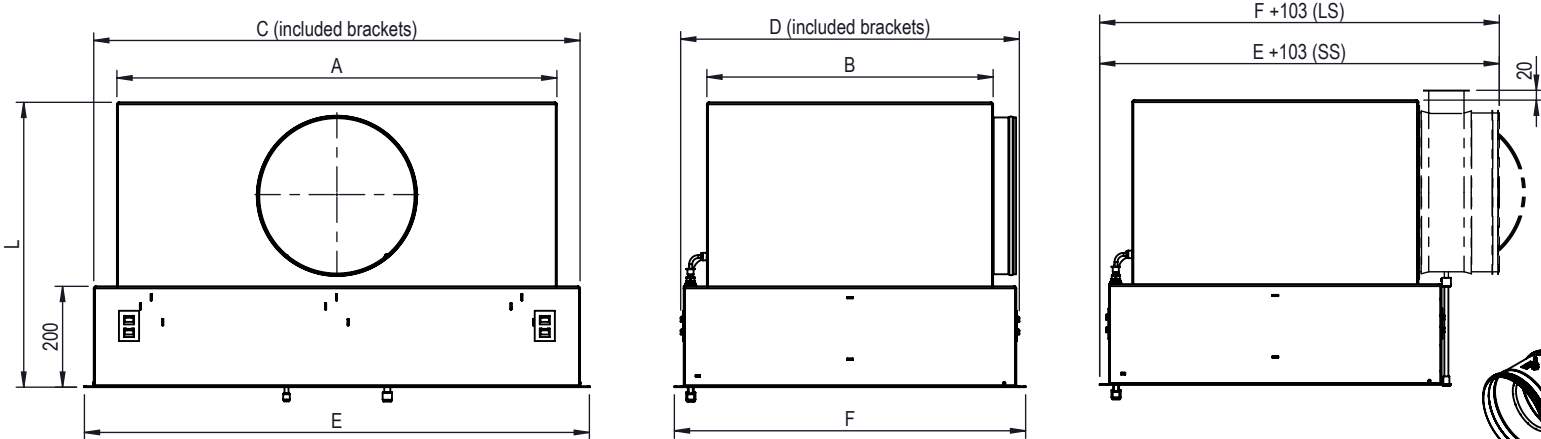
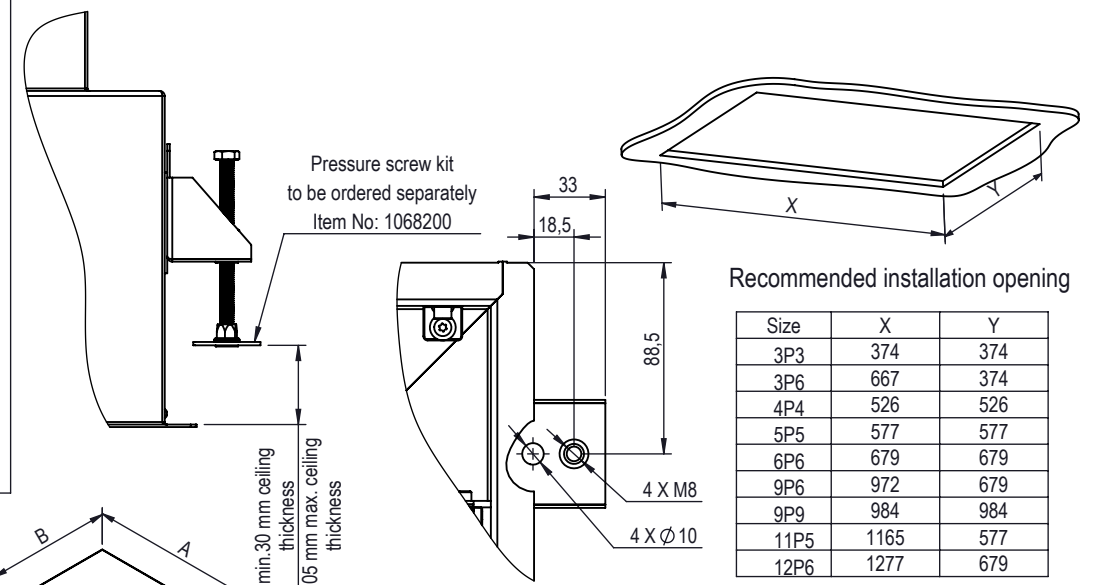
Filter frame height	
MD-66	(Standard)
MX-90	
MG-110	

Air inlet size	
∅	available for:
160	3P3
200	3P3, 3P6, 4P4
250	3P6, 4P4, 5P5, 6P6
315	5P5, 6P6, 9P6, 9P9, 11P5, 12P6
355	6P6, 9P6, 9P9, 11P5, 12P6

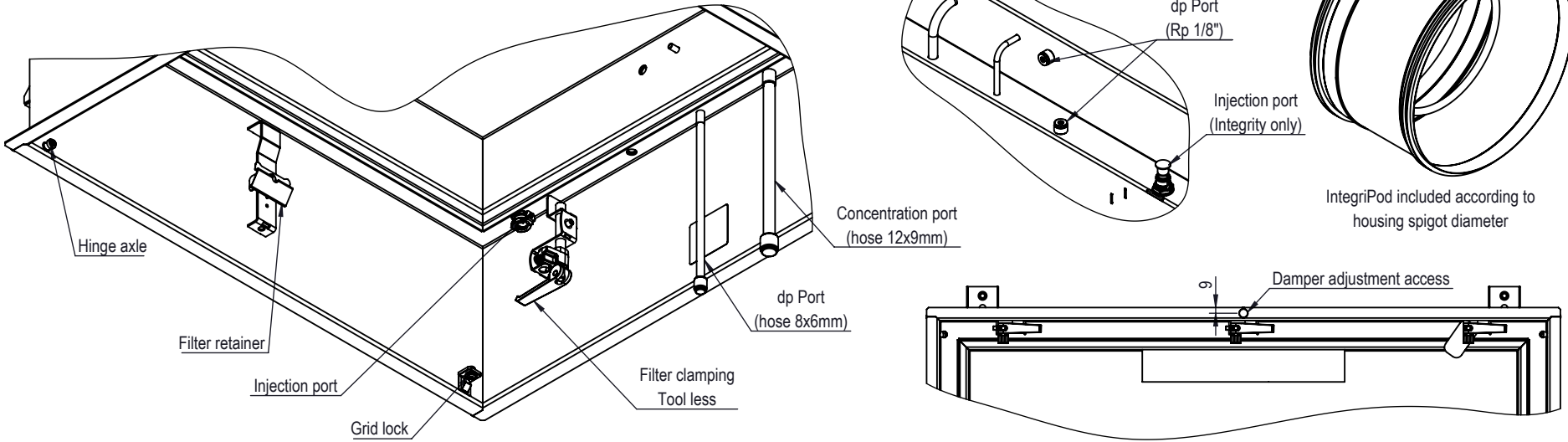
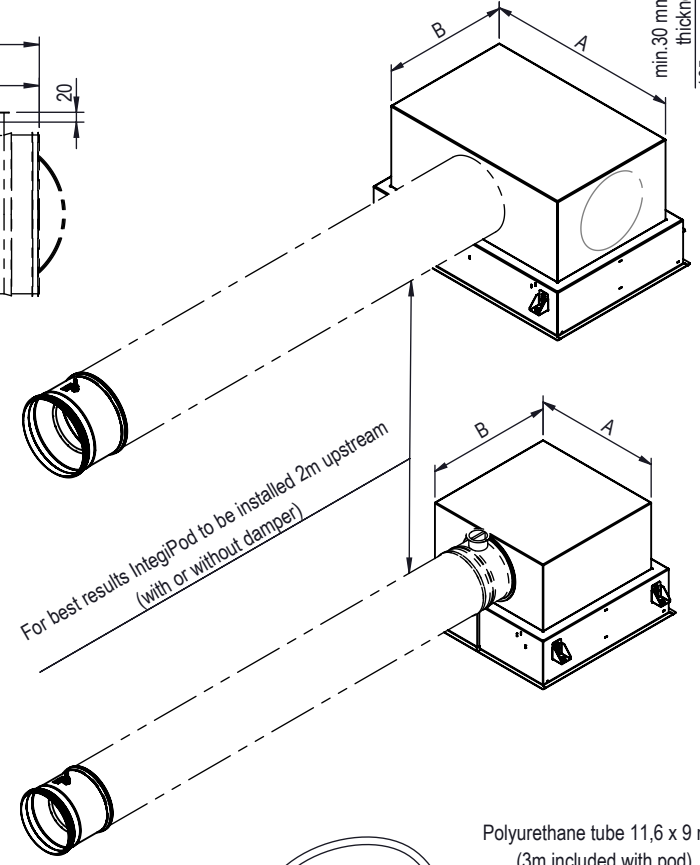
Damper	
N	No Damper
D	Damper Ready

Entry pos.	
00	All square
LS	Long side
SS	Short side

Customization		
X	0	None (Standard)
	9	Custom



Description	Item No. (Galvanized)	Item No. (1.4301)
DTU Damper 160	1068187	1085976
DTU Damper 200	1068188	1085977
DTU Damper 250	1068189	1085996
DTU Damper 315	1072146	1085998
DTU Damper 355	1072147	1085999



Inlet size	CAD Reference	L	A	B	C	D	E	F	∅ H	Weight [kg]
3P3	CL-I-V3-3P3-G-S-C-160-N	410							∅ 160	9
	CL-I-V3-3P3-G-S-C-160-D		263	263	355	367	392	392	∅ 162	
	CL-I-V3-3P3-G-S-C-200-N	450							∅ 200	
	CL-I-V3-3P3-G-S-C-200-D								∅ 202	
3P6	CL-I-V3-3P6-G-S-C-200-N-SS	450							∅ 200	15
	CL-I-V3-3P6-G-S-C-200-D-SS		568	263	660	367	697	392	∅ 202	
	CL-I-V3-3P6-G-S-C-200-N-LS								∅ 202	
	CL-I-V3-3P6-G-S-C-200-D-LS								∅ 250	
4P4	CL-I-V3-3P6-G-S-C-250-N-SS	500							∅ 250	15
	CL-I-V3-4P4-G-S-C-200-N	450							∅ 200	
	CL-I-V3-4P4-G-S-C-200-D		415	415	507	519	544	544	∅ 202	
	CL-I-V3-4P4-G-S-C-250-D	500							∅ 252	
5P5	CL-I-V3-4P4-G-S-C-250-N-LS								∅ 250	18
	CL-I-V3-5P5-G-S-C-250-N	500							∅ 250	
	CL-I-V3-5P5-G-S-C-250-D		466	466	558	570	595	595	∅ 252	
	CL-I-V3-5P5-G-S-C-315-N	565							∅ 315	
6P6	CL-I-V3-5P5-G-S-C-315-D								∅ 317	19
	CL-I-V3-6P6-G-S-C-250-N	500							∅ 250	
	CL-I-V3-6P6-G-S-C-250-D		568	568	660	672	697	697	∅ 252	
	CL-I-V3-6P6-G-S-C-315-N	565							∅ 315	
9P6	CL-I-V3-6P6-G-S-C-315-D								∅ 317	23
	CL-I-V3-9P6-G-S-C-315-N-SS	565							∅ 315	
	CL-I-V3-9P6-G-S-C-315-D-SS		873	568	965	672	1002	697	∅ 317	
	CL-I-V3-9P6-G-S-C-315-N-LS								∅ 317	
9P9	CL-I-V3-9P6-G-S-C-355-N-SS	605							∅ 355	41
	CL-I-V3-9P6-G-S-C-355-D-SS								∅ 357	
	CL-I-V3-9P6-G-S-C-355-N-LS								∅ 355	
	CL-I-V3-9P6-G-S-C-355-D-LS								∅ 357	
11P5	CL-I-V3-9P9-G-S-C-315-N	565							∅ 315	50
	CL-I-V3-9P9-G-S-C-315-D		873	873	965	977	1002	1002	∅ 317	
	CL-I-V3-9P9-G-S-C-355-N	605							∅ 355	
	CL-I-V3-9P9-G-S-C-355-D								∅ 357	
12P6	CL-I-V3-11P5-G-S-C-315-N-SS	565							∅ 315	42
	CL-I-V3-11P5-G-S-C-315-D-SS								∅ 317	
	CL-I-V3-11P5-G-S-C-315-N-LS								∅ 315	
	CL-I-V3-11P5-G-S-C-315-D-LS		1066	466	1158	570	1195	595	∅ 317	
12P6	CL-I-V3-11P5-G-S-C-355-N-SS	605							∅ 355	43
	CL-I-V3-11P5-G-S-C-355-D-SS								∅ 357	
	CL-I-V3-11P5-G-S-C-355-N-LS								∅ 355	
	CL-I-V3-11P5-G-S-C-355-D-LS								∅ 357	
12P6	CL-I-V3-12P6-G-S-C-315-N-SS	565							∅ 315	49
	CL-I-V3-12P6-G-S-C-315-D-SS								∅ 317	
	CL-I-V3-12P6-G-S-C-315-N-LS								∅ 315	
	CL-I-V3-12P6-G-S-C-315-D-LS		1178	568	1270	672	1307	697	∅ 317	
12P6	CL-I-V3-12P6-G-S-C-355-N-SS	605							∅ 355	51
	CL-I-V3-12P6-G-S-C-355-D-SS								∅ 357	
	CL-I-V3-12P6-G-S-C-355-N-LS								∅ 355	
	CL-I-V3-12P6-G-S-C-355-D-LS								∅ 357	



DESCRIPTION			
CleanSeal Integrity - GEL - Side Circular			
PROJECT	LAST REVISION	WEIGHT	
	11.1.2022	see table	
DRAWING REF.	SHEET	SIZE	SCALE
Scope Drawing - CL-V3-G-S-C	2/2	A3	

NB: The copyright of this drawing remains with Camfil. Contents must not be used, copied or disclosed to third parties without prior written consent. All rights reserved.