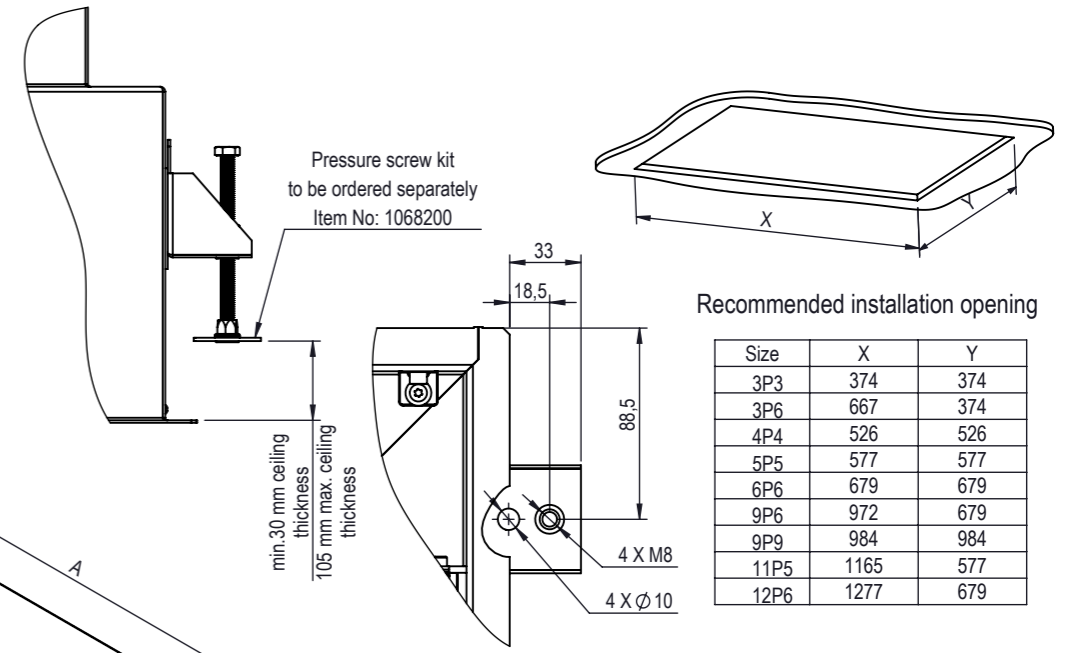


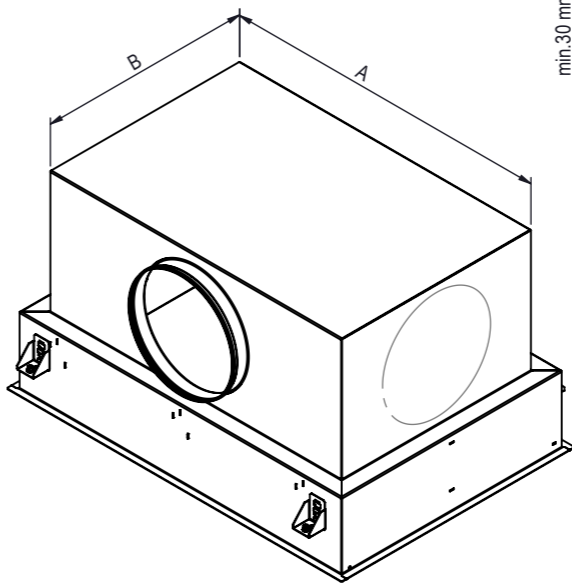
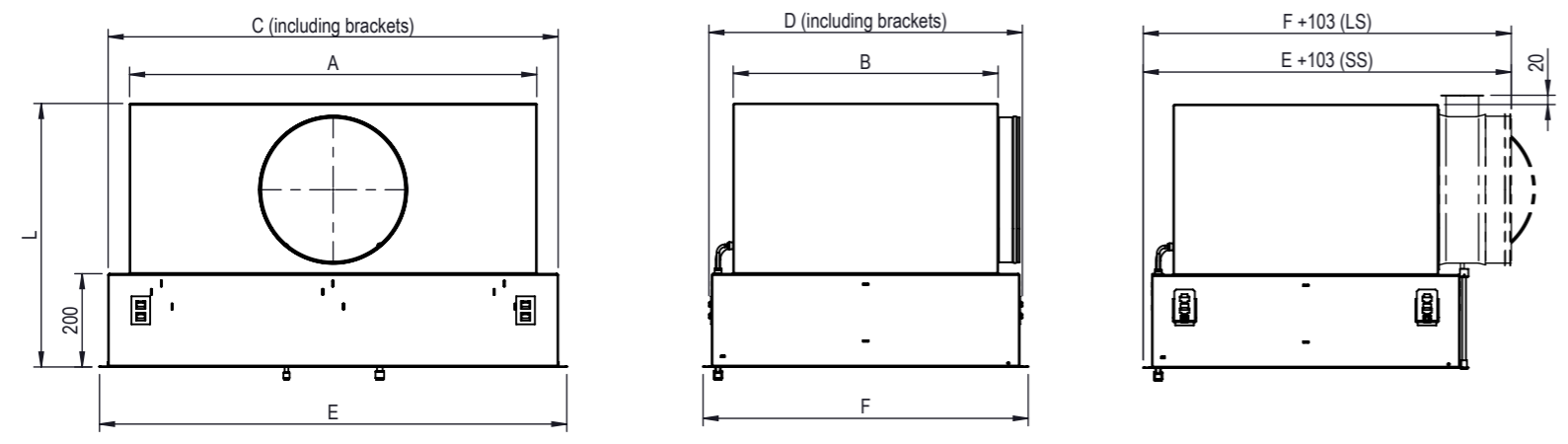
CL - xx - xPx - P - xx - S - C - xxx - x - xx - A - A - A - 0 - 0

Hood body material		Filter front size		Filter frame height	Air inlet size	Damper	Entry pos.	Customization				
SW	Steel/White RAL9010	3P3	305x305	MD-66 (Standard) 78 MX-90 MG-110	available for: 160 3P3 200 3P3, 3P6, 4P4 250 3P6, 4P4, 5P5, 6P6	N No Damper	00 All square	X 0 None (Standard)				
S4	SS 304	4P4	457x457						315 5P5, 6P6, 9P6, 9P9, 11P5, 12P6	D Damper Ready	LS Long side	9 Custom
S6	SS 316L	5P5	508x508			355 6P6, 9P6, 9P9, 11P5, 12P6		SS Short side				
		6P6	610x610									
		9P6	915x610									
		9P9	915x915									
		11P5	1108x508									
		12P6	1220x610									



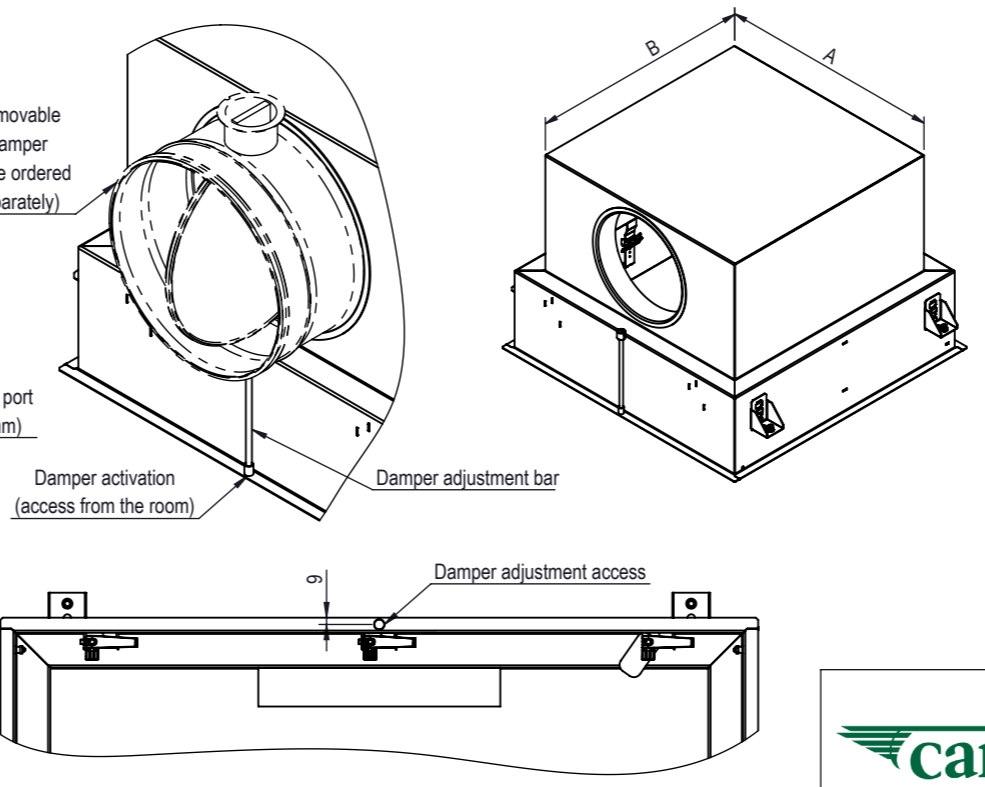
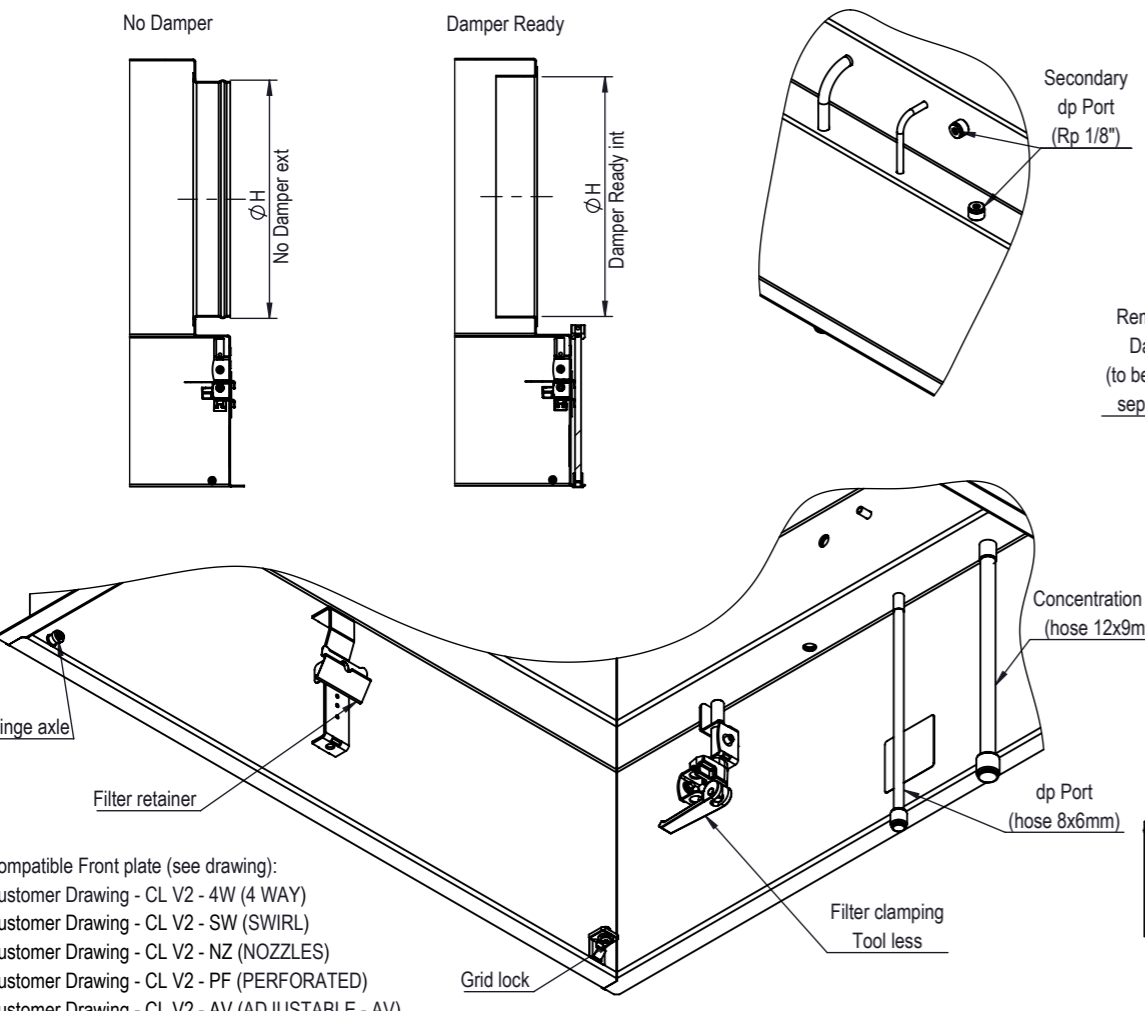
Recommended installation opening

Size	X	Y
3P3	374	374
3P6	667	374
4P4	526	526
5P5	577	577
6P6	679	679
9P6	972	679
9P9	984	984
11P5	1165	577
12P6	1277	679



Description	Item No. (Galvanized)	Item No. (1.4301)
DTU Damper 160	1068187	1085976
DTU Damper 200	1068188	1085977
DTU Damper 250	1068189	1085996
DTU Damper 315	1072146	1085998
DTU Damper 355	1072147	1085999

Inlet size	CAD Reference	L	A	B	C	D	E	F	Ø H	Weight [kg]	
3P3	CL-V3-3P3-P-S-C-160-N	410	263	263	367	355	392	392	Ø 160	9	
	CL-V3-3P3-P-S-C-160-D								Ø 162		
	CL-V3-3P3-P-S-C-200-N	450	263	263	660	697	697	Ø 200			
	CL-V3-3P3-P-S-C-200-D							Ø 202			
3P6	CL-V3-3P6-P-S-C-200-N-LS	450	568	263	660	367	697	392	Ø 200	14	
	CL-V3-3P6-P-S-C-200-N-SS								Ø 202		
	CL-V3-3P6-P-S-C-200-D-LS	500	568	263	660	697	697	697	Ø 202		
	CL-V3-3P6-P-S-C-200-D-SS								Ø 250		
	CL-V3-3P6-P-S-C-250-N-LS	500	568	263	660	697	697	697	Ø 250		15
	CL-V3-3P6-P-S-C-250-N-SS								Ø 250		
4P4	CL-V3-4P4-P-S-C-200-N	450	415	415	519	507	544	544	Ø 200	14	
	CL-V3-4P4-P-S-C-200-D								Ø 202		
	CL-V3-4P4-P-S-C-250-N	500	415	415	519	507	544	544	Ø 250		
	CL-V3-4P4-P-S-C-250-D								Ø 252		
5P5	CL-V3-5P5-P-S-C-250-N	500	466	466	570	558	595	595	Ø 250	17	
	CL-V3-5P5-P-S-C-250-D								Ø 252		
	CL-V3-5P5-P-S-C-315-N	565	466	466	570	558	595	595	Ø 315		18
	CL-V3-5P5-P-S-C-315-D								Ø 317		
6P6	CL-V3-6P6-P-S-C-250-N	500	568	568	672	660	697	697	Ø 250	21	
	CL-V3-6P6-P-S-C-250-D								Ø 252		
	CL-V3-6P6-P-S-C-315-N	565	568	568	672	660	697	697	Ø 315		23
	CL-V3-6P6-P-S-C-315-D								Ø 317		
9P6	CL-V3-9P6-P-S-C-315-N-LS	565	873	568	965	672	1002	697	Ø 315	30	
	CL-V3-9P6-P-S-C-315-N-SS								Ø 315		
	CL-V3-9P6-P-S-C-315-D-LS	605	873	568	965	672	1002	697	Ø 317		
	CL-V3-9P6-P-S-C-315-D-SS								Ø 355		
	CL-V3-9P6-P-S-C-355-N-LS	605	873	568	965	672	1002	697	Ø 355		31
	CL-V3-9P6-P-S-C-355-N-SS								Ø 355		
CL-V3-9P6-P-S-C-355-D-LS	605	873	568	965	672	1002	697	Ø 357			
CL-V3-9P6-P-S-C-355-D-SS								Ø 357			
9P9	CL-V3-9P9-P-S-C-315-N	565	873	873	977	965	1002	1002	Ø 315	38	
	CL-V3-9P9-P-S-C-315-D								Ø 317		
	CL-V3-9P9-P-S-C-355-N	605	873	873	977	965	1002	1002	Ø 355		
	CL-V3-9P9-P-S-C-355-D								Ø 357		
11P5	CL-V3-11P5-P-S-C-315-D-LS	565	1066	466	1158	570	1195	595	Ø 317	31	
	CL-V3-11P5-P-S-C-315-N-LS								Ø 315		
	CL-V3-11P5-P-S-C-315-D-SS	605	1066	466	1158	570	1195	595	Ø 317		
	CL-V3-11P5-P-S-C-315-N-SS								Ø 315		
	CL-V3-11P5-P-S-C-355-D-LS	605	1066	466	1158	570	1195	595	Ø 357		32
	CL-V3-11P5-P-S-C-355-N-LS								Ø 355		
CL-V3-11P5-P-S-C-355-D-SS	605	1066	466	1158	570	1195	595	Ø 357			
CL-V3-11P5-P-S-C-355-N-SS								Ø 357			
12P6	CL-V3-12P6-P-S-C-315-D-LS	565	1178	568	1270	672	1307	697	Ø 317	36	
	CL-V3-12P6-P-S-C-315-N-LS								Ø 315		
	CL-V3-12P6-P-S-C-315-D-SS	605	1178	568	1270	672	1307	697	Ø 315		
	CL-V3-12P6-P-S-C-315-N-SS								Ø 357		
CL-V3-12P6-P-S-C-355-D-LS	605	1178	568	1270	672	1307	697	Ø 355	38		
CL-V3-12P6-P-S-C-355-N-LS								Ø 355			
CL-V3-12P6-P-S-C-355-D-SS	605	1178	568	1270	672	1307	697	Ø 357			
CL-V3-12P6-P-S-C-355-N-SS								Ø 357			



Compatible Front plate (see drawing):
 Customer Drawing - CL V2 - 4W (4 WAY)
 Customer Drawing - CL V2 - SW (SWIRL)
 Customer Drawing - CL V2 - NZ (NOZZLES)
 Customer Drawing - CL V2 - PF (PERFORATED)
 Customer Drawing - CL V2 - AV (ADJUSTABLE - AV)
 Customer Drawing - CL V2 - SW adj (SWIRL - ABS ADJUSTABLE)



DESCRIPTION CleanSeal - PU - Side Circular			
PROJECT	LAST REVISION 11.1.2022	WEIGHT see table	
DRAWING REF. Scope Drawing - CL-V3-P-S-C	SHEET 1/2	SIZE A3	

NB: The copyright of this drawing remains with Camfil.
 Contents must not be used, copied or disclosed to
 third parties without prior written consent.
 All rights reserved.

CL - xx - xPx - P - xx - S - C - xxx - x - xx - A - I - A - 0 - 0

Hood body material	
SW	Steel/White RAL9010
S4	SS 304
S6	SS 316L

Filter front size	
3P3	305x305
3P6	305x610
4P4	457x457
5P5	508x508
6P6	610x610
9P6	915x610
9P9	915x915
11P5	1108x508
12P6	1220x610

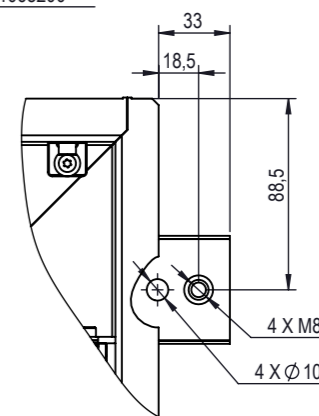
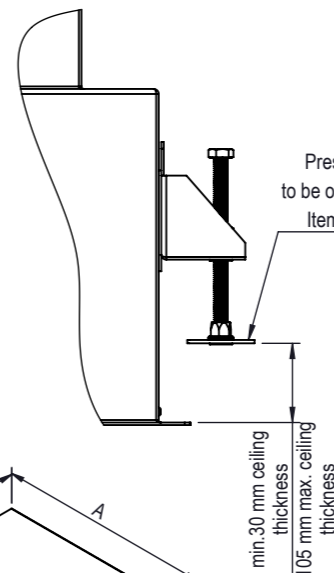
Filter frame height	
MD-66	(Standard)
78	
MX-90	
MG-110	

Air inlet size	
∅	available for:
	160 3P3
	200 3P3, 3P6, 4P4
250	3P6, 4P4, 5P5, 6P6
	315 5P5, 6P6, 9P6, 9P9, 11P5, 12P6
355	6P6, 9P6, 9P9, 11P5, 12P6

Damper	
N	No Damper
D	Damper Ready

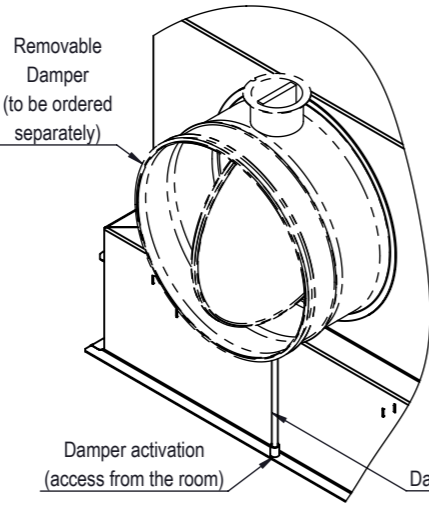
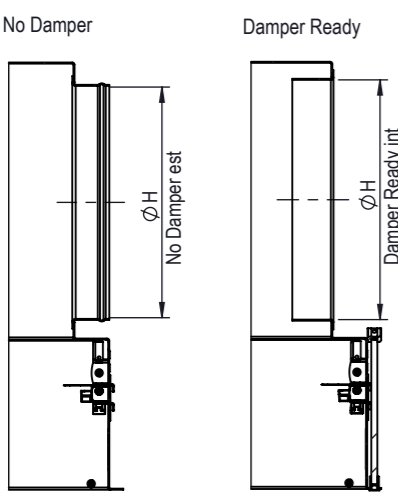
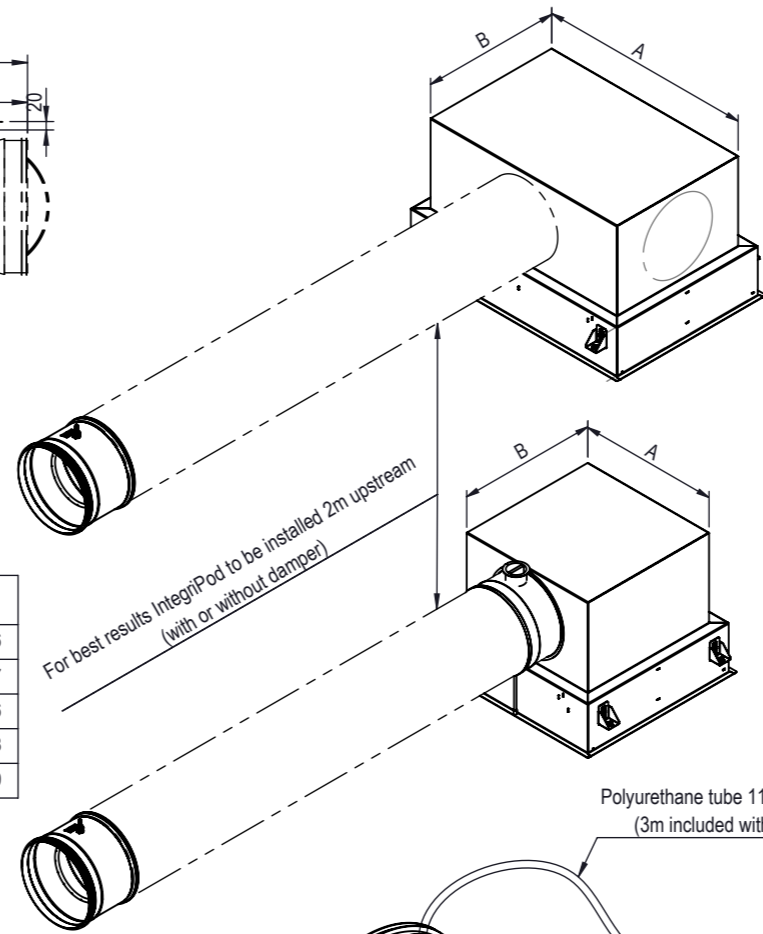
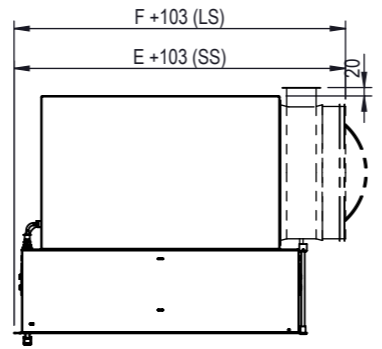
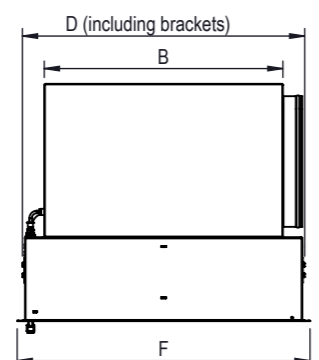
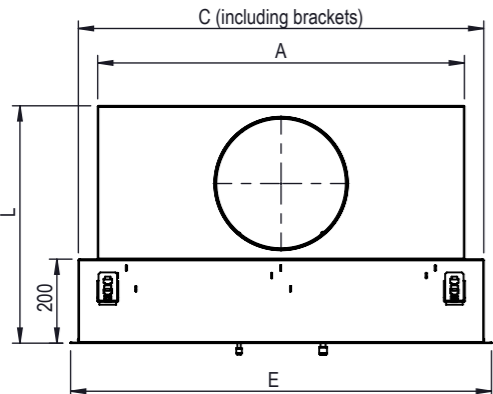
Entry pos.	
00	All square
LS	Long side
SS	Short side

Customization		
X	0	None (Standard)
	9	Custom

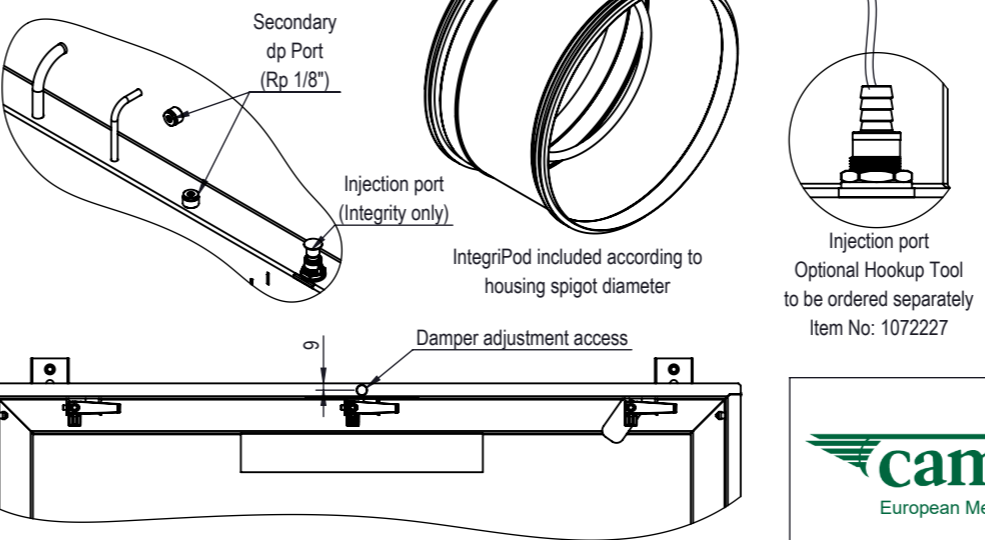
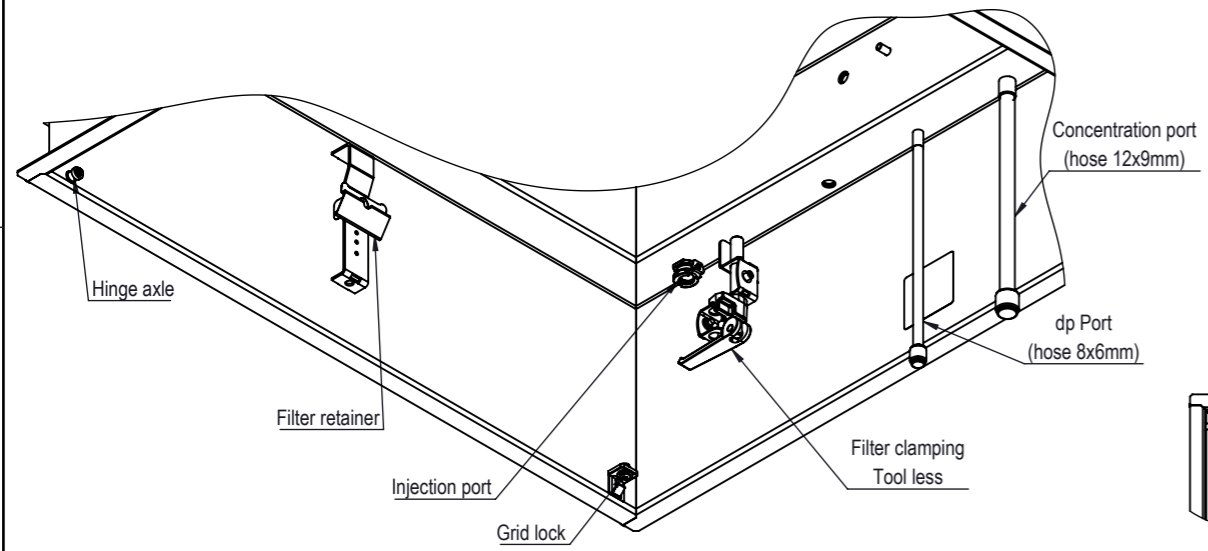


Recommended installation opening

Size	X	Y
3P3	374	374
3P6	667	374
4P4	526	526
5P5	577	577
6P6	679	679
9P6	972	679
9P9	984	984
11P5	1165	577
12P6	1277	679



Description	Item No. (Galvanized)	Item No. (1.4301)
DTU Damper 160	1068187	1085976
DTU Damper 200	1068188	1085977
DTU Damper 250	1068189	1085996
DTU Damper 315	1072146	1085998
DTU Damper 355	1072147	1085999



Inlet size	CAD Reference	L	A	B	C	D	E	F	∅ H	Weight [kg]
3P3	CL-I-V3-3P3-P-S-C-160-N	410							∅ 160	9
	CL-I-V3-3P3-P-S-C-160-D		263	263	367	355	392	392	∅ 162	
	CL-I-V3-3P3-P-S-C-200-N	450							∅ 200	
	CL-I-V3-3P3-P-S-C-200-D								∅ 202	
3P6	CL-I-V3-3P6-P-S-C-200-N-LS	450							∅ 200	14
	CL-I-V3-3P6-P-S-C-200-D-LS		568	263	660	367	697	392	∅ 200	
	CL-I-V3-3P6-P-S-C-200-N-SS								∅ 202	
	CL-I-V3-3P6-P-S-C-200-D-SS								∅ 202	
4P4	CL-I-V3-3P6-P-S-C-250-N-LS	500							∅ 250	15
	CL-I-V3-3P6-P-S-C-250-D-LS								∅ 250	
	CL-I-V3-4P4-P-S-C-200-N	450							∅ 200	
	CL-I-V3-4P4-P-S-C-200-D		415	415	519	507	544	544	∅ 202	
5P5	CL-I-V3-4P4-P-S-C-250-N	500							∅ 250	17
	CL-I-V3-4P4-P-S-C-250-D								∅ 252	
	CL-I-V3-5P5-P-S-C-315-N	565							∅ 315	
	CL-I-V3-5P5-P-S-C-315-D								∅ 317	
6P6	CL-I-V3-5P5-P-S-C-250-N	500							∅ 250	21
	CL-I-V3-5P5-P-S-C-250-D		466	466	570	558	595	595	∅ 252	
	CL-I-V3-6P6-P-S-C-250-N	500							∅ 250	
	CL-I-V3-6P6-P-S-C-250-D								∅ 252	
9P6	CL-I-V3-6P6-P-S-C-315-N	565							∅ 315	23
	CL-I-V3-6P6-P-S-C-315-D		568	568	672	660	697	697	∅ 315	
	CL-I-V3-9P6-P-S-C-315-N-SS	565							∅ 315	
	CL-I-V3-9P6-P-S-C-315-D-LS								∅ 317	
9P9	CL-I-V3-9P6-P-S-C-355-N-LS	605							∅ 355	31
	CL-I-V3-9P6-P-S-C-355-D-LS		873	568	965	672	1002	697	∅ 355	
	CL-I-V3-9P6-P-S-C-355-N-SS	605							∅ 357	
	CL-I-V3-9P6-P-S-C-355-D-SS								∅ 357	
11P5	CL-I-V3-9P9-P-S-C-315-N	565							∅ 315	38
	CL-I-V3-9P9-P-S-C-315-D		873	873	977	965	1002	1002	∅ 317	
	CL-I-V3-11P5-P-S-C-315-N-LS	565							∅ 315	
	CL-I-V3-11P5-P-S-C-315-D-SS								∅ 317	
12P6	CL-I-V3-11P5-P-S-C-315-N-SS	605							∅ 315	32
	CL-I-V3-11P5-P-S-C-355-D-LS		1066	466	1158	570	1195	595	∅ 357	
	CL-I-V3-11P5-P-S-C-355-N-LS	605							∅ 355	
	CL-I-V3-11P5-P-S-C-355-D-SS								∅ 357	
12P6	CL-I-V3-12P6-P-S-C-315-N-LS	565							∅ 315	36
	CL-I-V3-12P6-P-S-C-315-D-SS								∅ 317	
	CL-I-V3-12P6-P-S-C-315-N-SS	605							∅ 315	
	CL-I-V3-12P6-P-S-C-355-D-LS		1178	568	1270	672	1307	697	∅ 357	



CleanSeal Integrity - PU - Side Circular			
PROJECT	LAST REVISION	WEIGHT	
	11.1.2022	see table	
DRAWING REF.	SHEET	SIZE	SCALE
Scope Drawing - CL-V3-P-S-C	2/2	A3	

NB: The copyright of this drawing remains with Camfil. Contents must not be used, copied or disclosed to third parties without prior written consent. All rights reserved.