

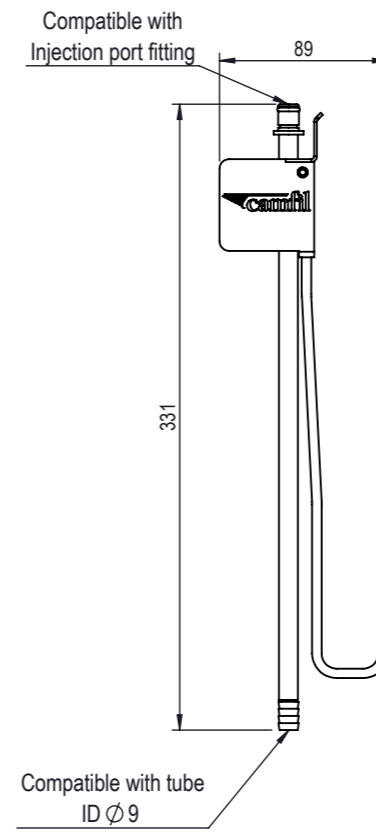
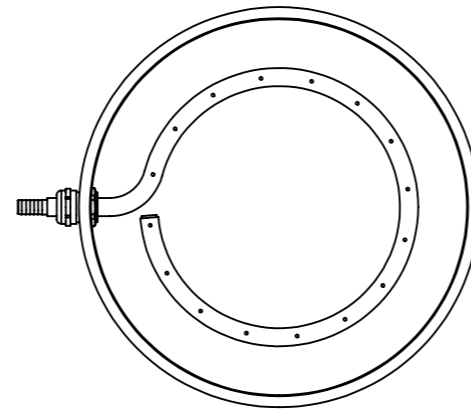
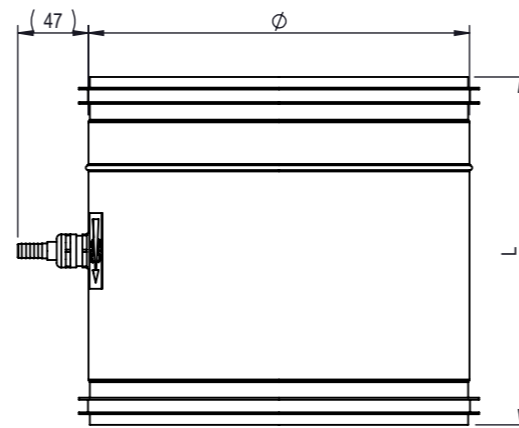
CL - I - xx - C - xxxx

Body material	
EZ	Galvanized
S4	SS 304L

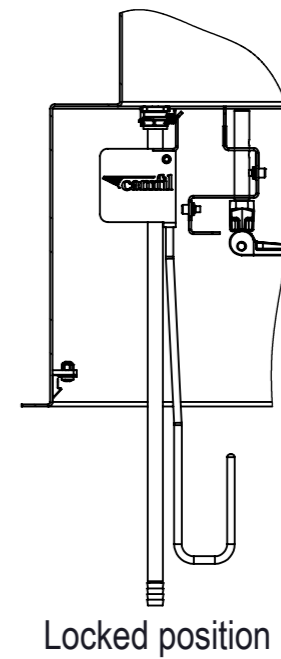
Circular size	
\varnothing	available for:
0160	3P3
0200	3P3, 3P6, 4P4
0250	3P6, 4P4, 5P5, 6P6
0315	5P5, 6P6, 9P6, 9P9, 11P5, 12P6
0355	6P6, 9P6, 9P9, 11P5, 12P6

\varnothing	L [mm]	Weight [kg]	Item No. (EZ)	Item No. (S4)
0160	170	1.0	1077076	1073150
0200	170	1.2	1073142	TBA
0250	230	1.8	1073143	1077078
0315	230	2.2	1073144	TBA
0355	230	2.5	1073145	TBA

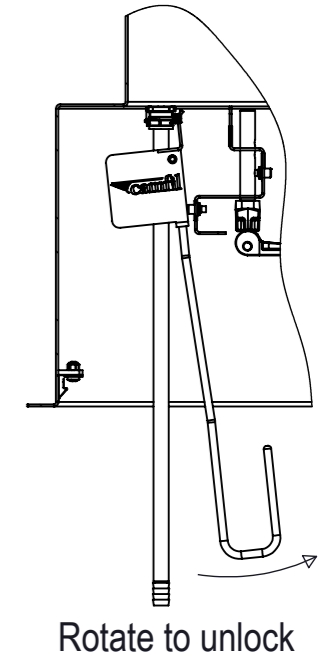
PU tube 11,6 x 9 mm
(3 m included with pod)



Hookup Tool
Item No.: 1072227



Locked position



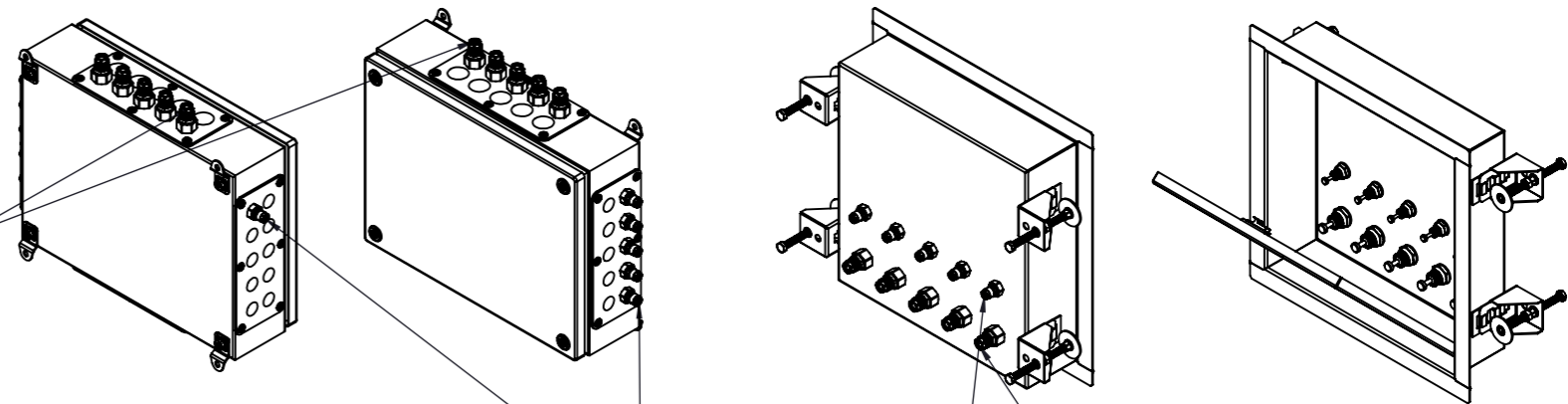
Rotate to unlock

CL - B - xx - x - xx

Body material	
SW	SteelWhite RAL9010
S4	SS 304L
00	Catalogue

Type		Stations
C	Cleanroom	01
T	Technical	05

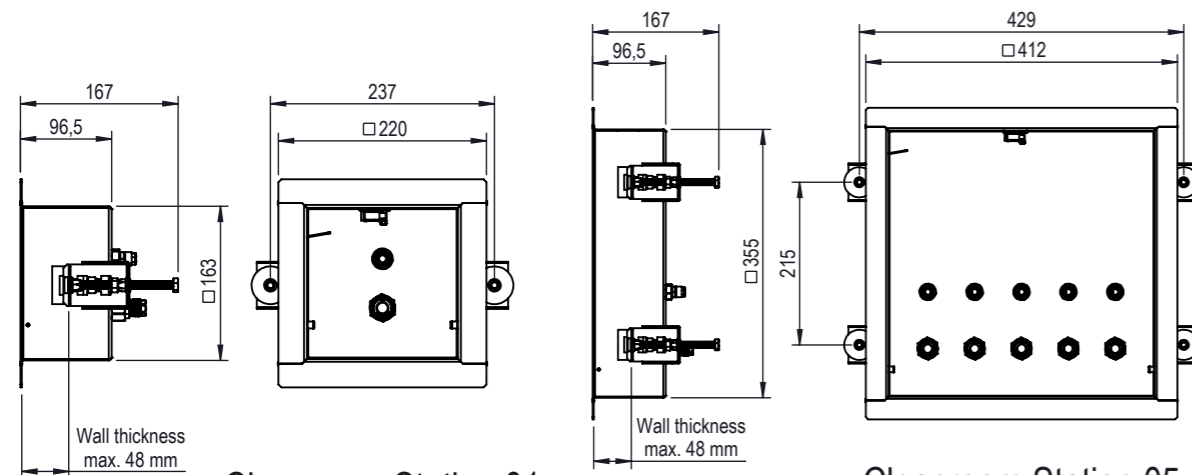
Injection port:
PU tube 11,6 x 9 mm compatible
(not included)



dP port:
PU tube 8 x 6 mm compatible
(not included)

Injection port:
PU tube 11,6 x 9 mm compatible
(not included)

Optional:
dP port PU tube 8 x 6 mm, 50 m roll; Item No.: 1076242
Injection port PU tube 11,6 x 9 mm, 50m roll; Item No.: 1076240

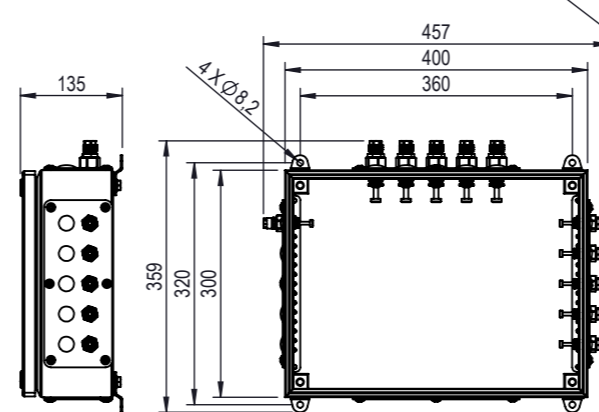


Cleanroom Station 01

Item No. SW: 1073128 / S4: 1073126
Weight: 2.4 kg

Cleanroom Station 05

Item No. SW: 1073129 / S4: 1073127
Weight: 7.2 kg



Technical Station 05

Item No. 00: 1073119
Weight: 7,0 kg



DESCRIPTION			
CleanSeal Integrity - Add-On			
PROJECT	LAST REVISION	WEIGHT	
Scope Drawing - CL-I-Add-On		21.10.2021	
DRAWING REF.	SHEET	SIZE	SCALE
1/1	1/1	A3	

NB: The copyright of this drawing remains with Camfil. Contents must not be used, copied or disclosed to third parties without prior written consent. All rights reserved.