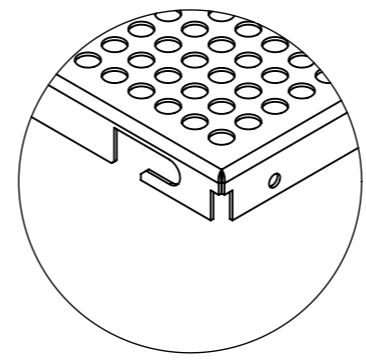
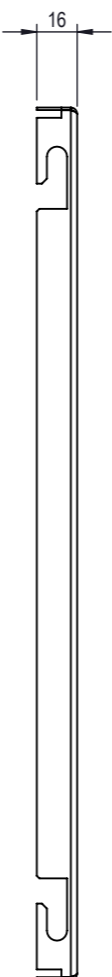
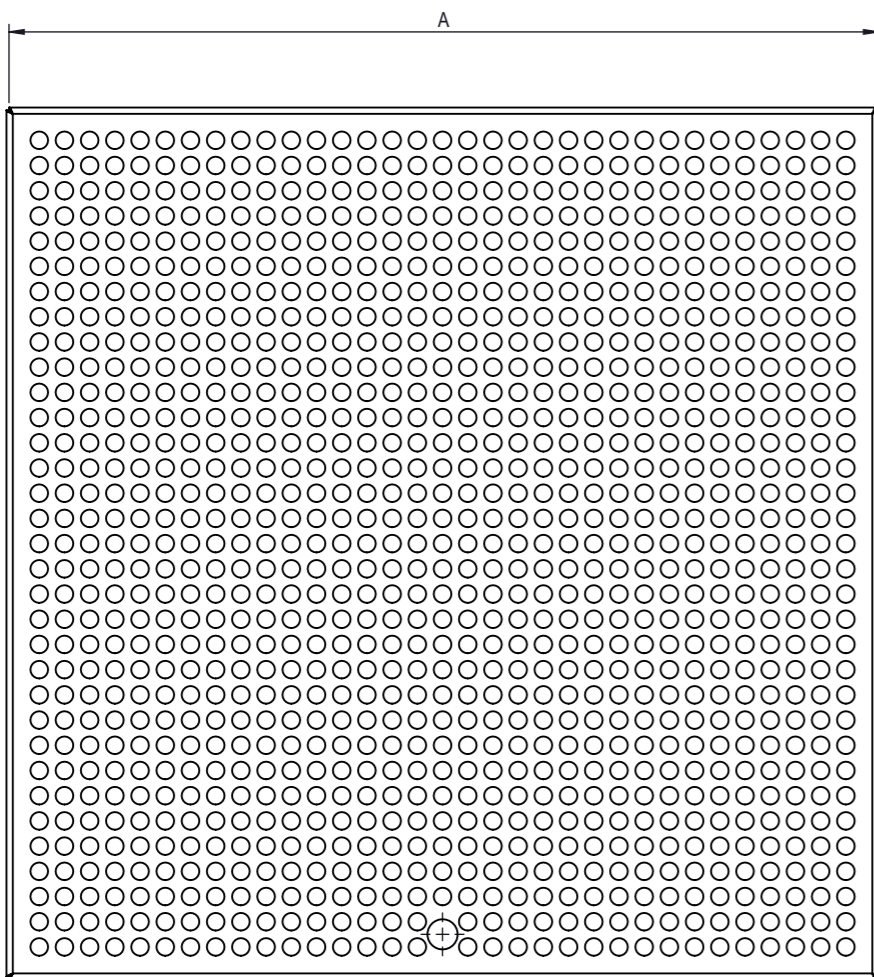
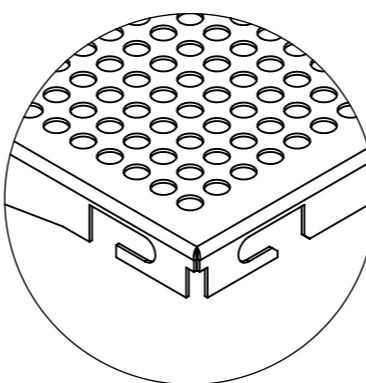


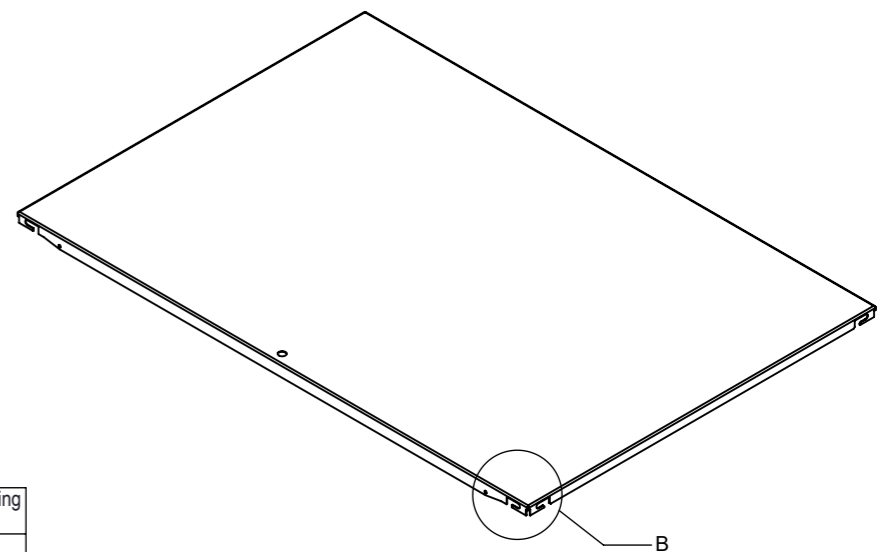
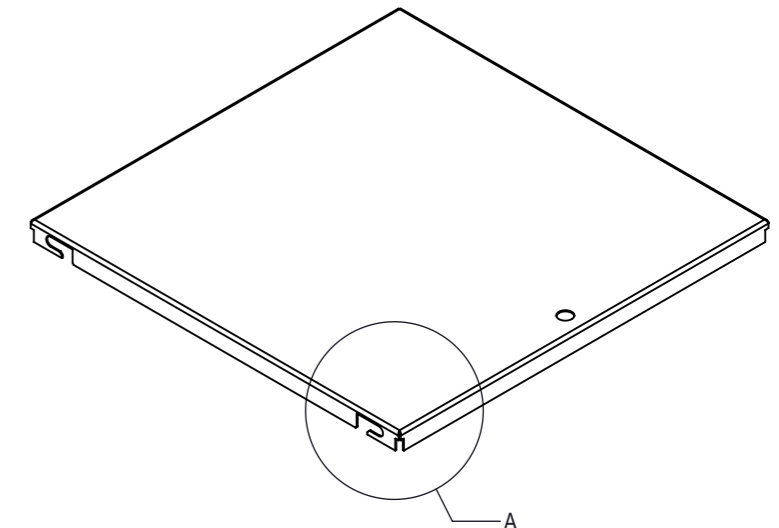
REVISION	DESCRIPTION	DATE	DESIGN	APPROVED
C	DESCRIPTION CHANGED	26.08.2019	RIL	VPA



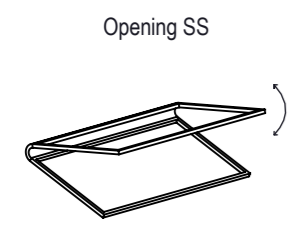
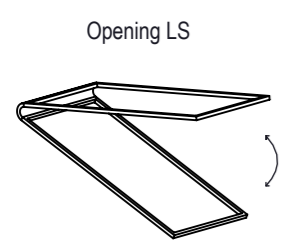
DETAIL A



DETAIL B




Selection	Camfil Order Ref (EMC COMIC)	DRW	ITM	Size	Model	A	B	Mass [kg]	Thickness	Material	Finish	Opening SS	Opening LS
<input type="checkbox"/>	FV255142140	687148	687148	3P3	CSL-PF-3P3	346	346	0,76	1	Carbon Steel	RAL 9010	-	-
<input type="checkbox"/>	FV255148608	687165	687165		CSL-PF-3P3-304L			AISI 304L		RAW	-	-	
<input type="checkbox"/>	FV255142231	687170	687170	3P6	CSL-PF-3P6	651	346	1,34	1	Carbon Steel	RAL 9010	X	X
<input type="checkbox"/>	FV255148613	687326	687326		CSL-PF-3P6-304L			AISI 304L		RAW	X	X	
<input type="checkbox"/>	FV255142240	687178	685833	4P4	CSL-PF-4P4	527,3	527,3	1,47	1	Carbon Steel	RAL 9010	-	-
<input type="checkbox"/>	FV255148615	687179	687179		CSL-PF-4P4 304L	AISI 304L	RAW	-		-			
<input type="checkbox"/>	FV255142340	687186	687186	5P5	CSL-PF-5P5	549	549	1,76	1	Carbon Steel	RAL 9010	-	-
<input type="checkbox"/>	FV255148628	687188	687188		CSL-PF-5P5-304L			AISI 304L		RAW	-	-	
<input type="checkbox"/>	FV255142440	687327	687327	6P6	CSL-PF-6P6	651	651	2,41	1	Carbon Steel	RAL 9010	-	-
<input type="checkbox"/>	FV255148621	687339	687339		CSL-PF-6P6-304L			AISI 304L		RAW	-	-	
<input type="checkbox"/>	FV255142420	687342	687342	9P6	CSL-PF-9P6	651	956	5,28	1,5	Carbon Steel	RAL 9010	X	X
<input type="checkbox"/>	FV255148624	687452	687452		CSL-PF-9P6-304L			AISI 304L		RAW	X	X	
<input type="checkbox"/>	FV255142840	687478	687478	9P9	CSL-PF-9P9	956	956	10,95	1,5	Carbon Steel	RAL 9010	-	-
<input type="checkbox"/>	FV255148625	687485	687485		CSL-PF-9P9-304L			AISI 304L		RAW	-	-	
<input type="checkbox"/>	FV255142540	687442	687442	11P5	CSL-PF-11P5	1149	549	5,37	1,5	Carbon Steel	RAL 9010	X	X
<input type="checkbox"/>	FV255142F550	687445	687445		CSL-PF-11P5-304L			AISI 304L		RAW	X	X	
<input type="checkbox"/>	FV255142640	687432	687432	12P6	CSL-PF-12P6	1261	651	6,87	1,5	Carbon Steel	RAL 9010	X	X
<input type="checkbox"/>	FV255148606	687433	602450		CSL-PF-12P6-304L			AISI 304L		RAW	X	X	




Approved
 Approved as noted
 Revise and Resubmit

NAME: _____ SIGNATURE: _____
 COMPANY: _____ DATE: _____

DESCRIPTION
 Front Plate V2 for Cleanseal, Camseal 1, Camseal 2 and Pharmaseal EU PERFORATED



PROJECT	LAST REVISION	WEIGHT	
-	26.08.2019		
DRAWING REF.	SHEET	SIZE	SCALE
Customer Drawing - CL V2 - PF	1/1	A3	

NB: The copyright of this drawing remains with Camfil. Contents must not be used, copied or disclosed to third parties without prior written consent. All rights reserved.