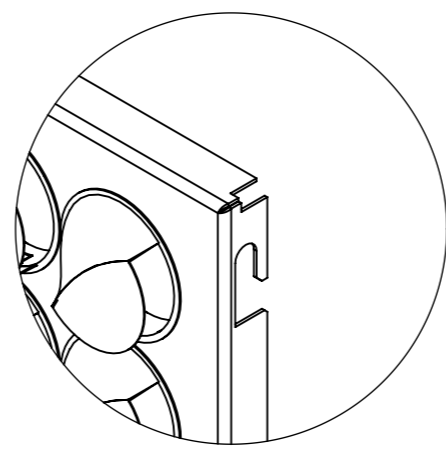
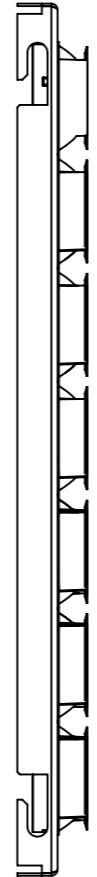
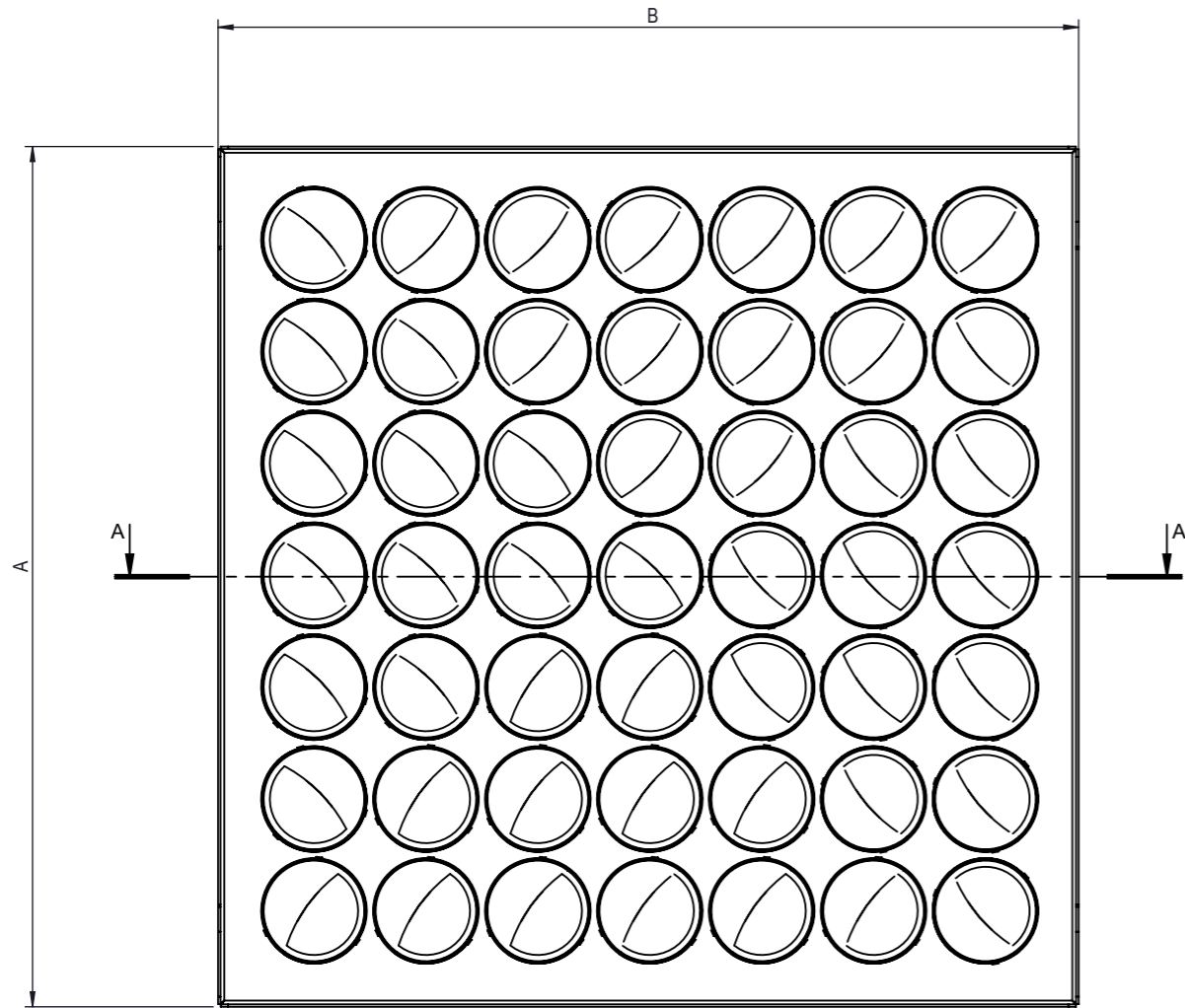
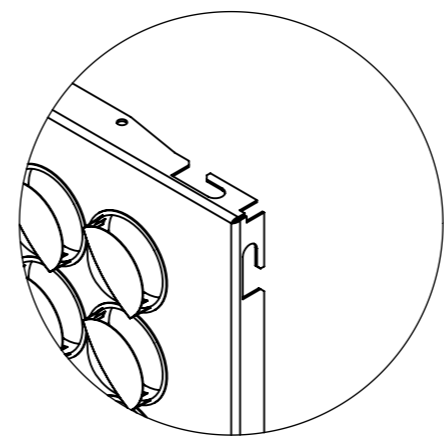


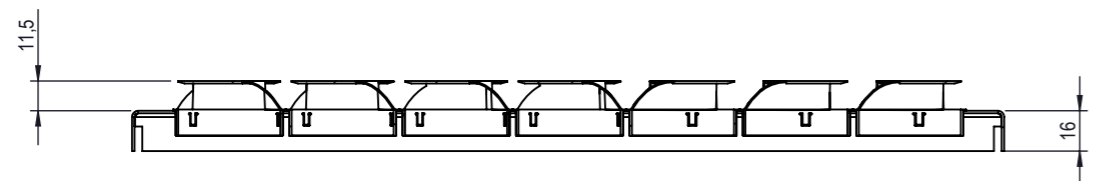
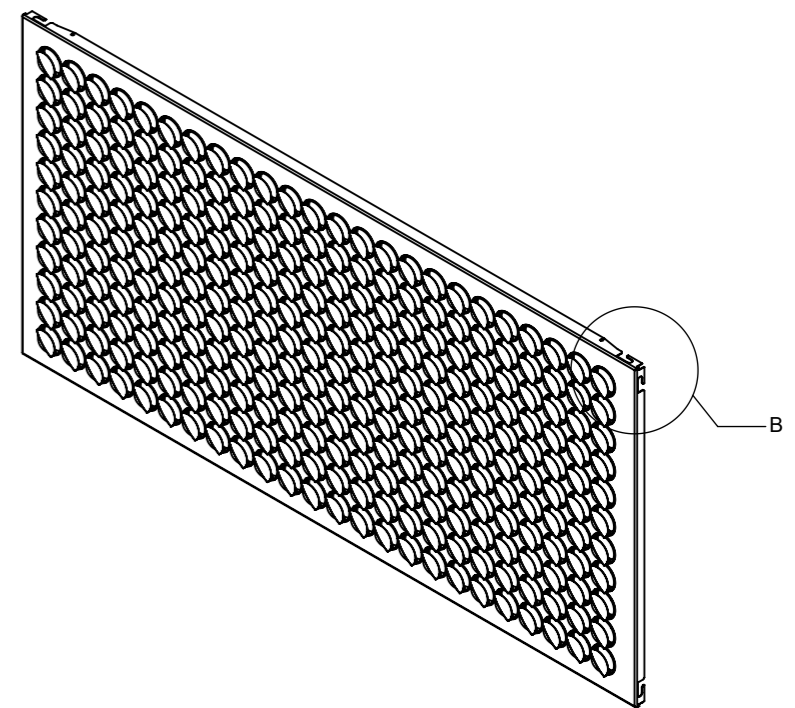
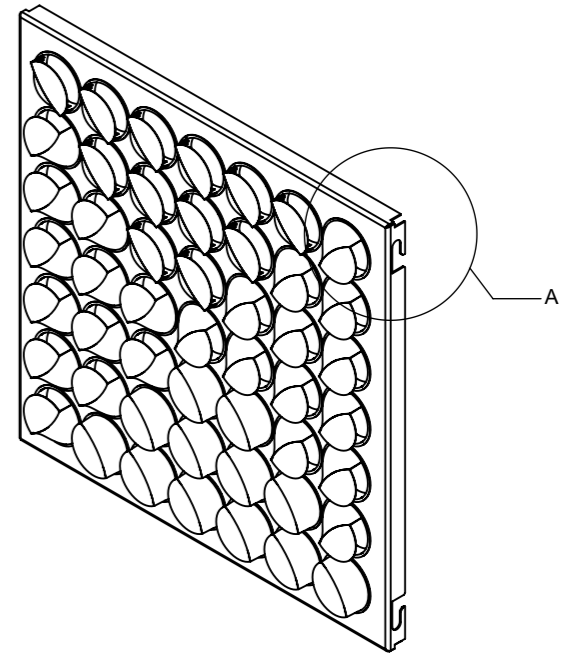
REVISION	DESCRIPTION	DATE	DESIGN	APPROVED
C	DESCRIPTION CHANGED	26.08.2019	RIL	VPA



DETAIL A

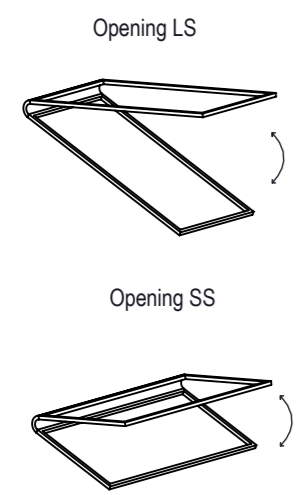


DETAIL B



SECTION A-A

Selection	Camfil Order Ref (EMC COMIC)	DRW	ITM	Size	Model	A	B	Mass [kg]	Material	Finish	Opening SS	Opening LS
<input type="checkbox"/>	FV255148100	687166	687166	3P3	CSL-NZ-3P3	346	345	0,83	Carbon Steel	RAL 9010	-	-
<input type="checkbox"/>	FV255148607	687168	687168		CSL-NZ-3P3-304L			0,86	AISI 304L	RAW	-	-
<input type="checkbox"/>	FV255148639	18-105147	781843	3P6	CSL-NZ-3P6-AISI 304L	346	651	1,52	AISI 304L	RAW	-	-
<input type="checkbox"/>	FV255148637	18-104476	686271		CSL-NZ-3P6			1,5	Carbon Steel	RAL 9010	X	X
<input type="checkbox"/>	FV255148200	687180	687180	4P4	CSL-NZ-4P4	498	498	1,63	Carbon Steel	RAL 9010	-	-
<input type="checkbox"/>	FV255148614	687182	687182		CSL-NZ-4P4-304L			1,67	AISI 304L	RAW	-	-
<input type="checkbox"/>	FV255148300	687191	601782	5P5	CSL-NZ-5P5	549	549	1,96	Carbon Steel	RAL 9010	-	-
<input type="checkbox"/>	FV255148617	687193	687193		CSL-NZ-5P5-304L			2	AISI 304L	RAW	-	-
<input type="checkbox"/>	FV255148400	687216	687216	6P6	CSL-NZ-6P6	651	651	2,71	Carbon Steel	RAL 9010	-	-
<input type="checkbox"/>	FV255148620	687218	687218		CSL-NZ-6P6-304L			2,78	AISI 304L	RAW	-	-
<input type="checkbox"/>	FV255148643	18-104489	686272	9P6	CSL-NZ-6P6	651	956	3,9	Carbon Steel	RAL 9010	X	X
<input type="checkbox"/>	FV255148647	18-105160	781844		CSL-NZ-9P6-AISI 304 L			4	AISI 304L	RAW	X	X
<input type="checkbox"/>	FV255148500	687416	687416	11P5	CSL-NZ-11P5	549	1149	3,99	Carbon Steel	RAL 9010	X	X
<input type="checkbox"/>	FV255148603	687421	687421		CSL-NZ-11P5-304L			4,08	AISI 304L	RAW	X	X
<input type="checkbox"/>	FV255148600	687420	687420	12P6	CSL-NZ-12P6	651	1261	5,07	Carbon Steel	RAL 9010	X	X
<input type="checkbox"/>	FV255148605	687426	687426		CSL-NZ-12P6-304L			5,19	AISI 304L	RAW	X	X



- Approved
- Approved as noted
- Revise and Resubmit

NAME: _____ SIGNATURE: _____
 COMPANY: _____ DATE: _____



DESCRIPTION Front Plate V2 for Cleanseal, Camseal 1, Camseal 2 and Pharmaseal EU NOZZLES			
PROJECT -	LAST REVISION 26.08.2019	WEIGHT	
DRAWING REF. Customer Drawing - CL V2 - NZ	SHEET 1/1	SIZE A3	

NB: The copyright of this drawing remains with Camfil. Contents must not be used, copied or disclosed to third parties without prior written consent. All rights reserved.