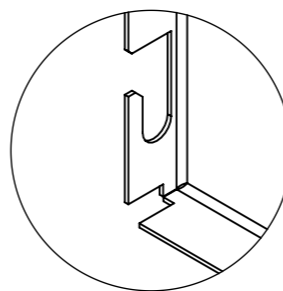
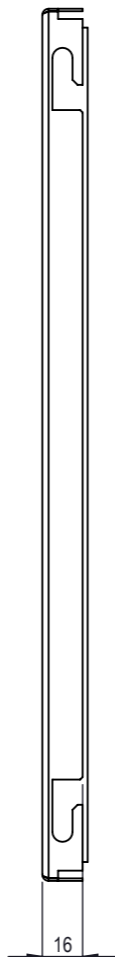
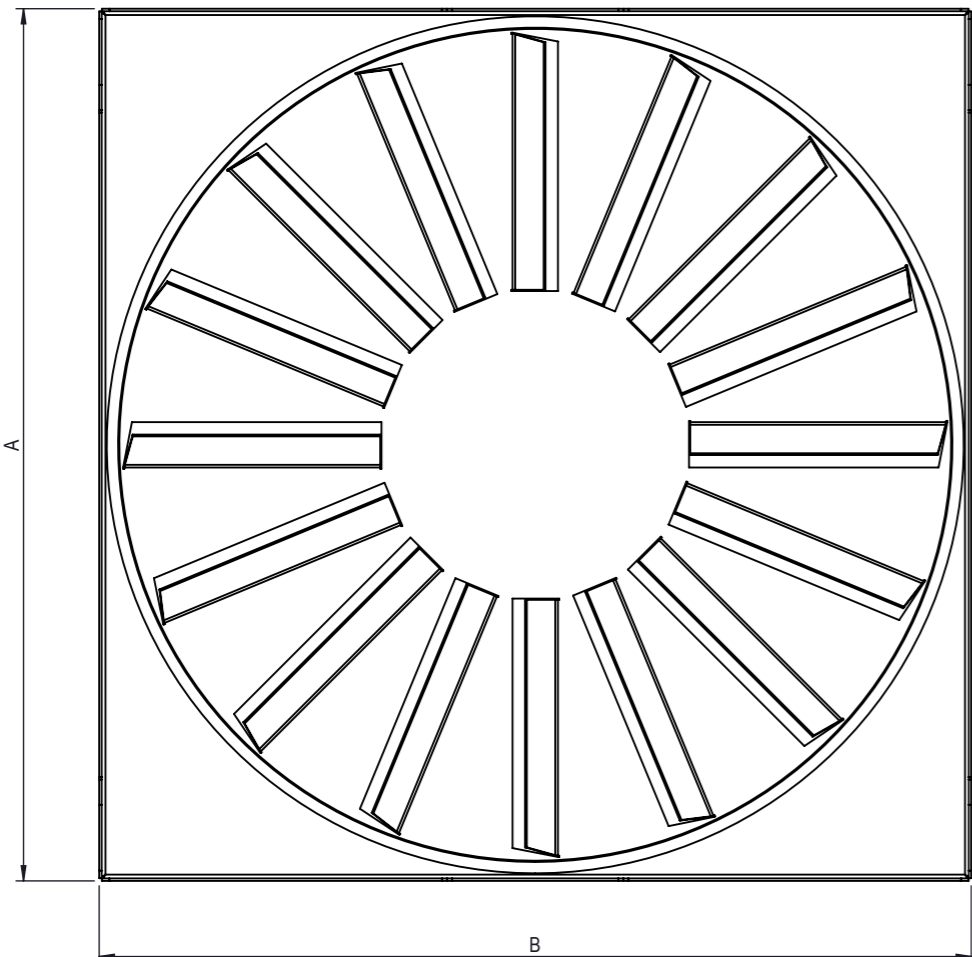
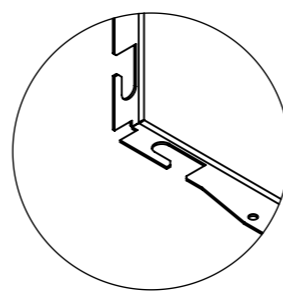


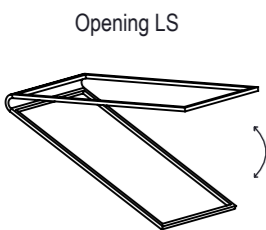
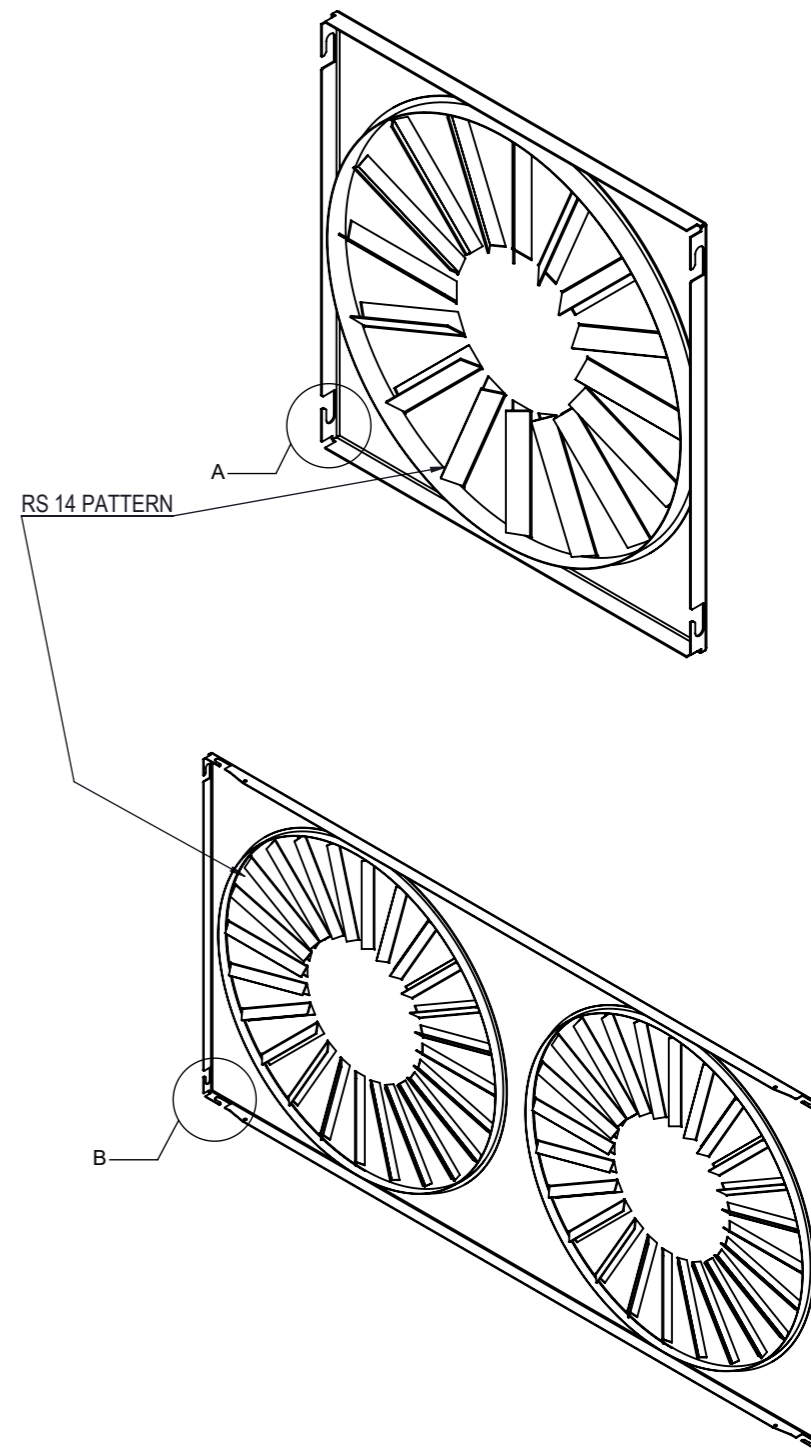
REVISION	DESCRIPTION	DATE	DESIGN	APPROVED
C	DESCRIPTION CHANGED	19.03.2019	RIL	VPA



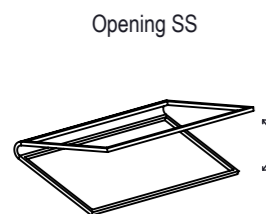
DETAIL A



DETAIL B



Opening LS



Opening SS

Selection	Camfil Order Ref (EMC COMIC)	DRW	ITM	Size	Model	A	B	Mass [kg]	Thickness	Material	Finish	Opening SS	Opening LS
<input type="checkbox"/>	FV255130641	687129	687129	3P3	CSL-SW14-3P3	346	346	1,29	1	Carbon Steel	RAL 9010	-	-
<input type="checkbox"/>	FV255148635	18-104474	686270	3P6	CSL-SW14-3P6	346	651	2,2	1	Carbon Steel	RAL 9010	X	X
<input type="checkbox"/>	FV255130642	687135	687135	4P4	CSL-SW14-4P4	498	498	2,41	1	Carbon Steel	RAL 9010	-	-
<input type="checkbox"/>	FV255130643	687139	687139	5P5	CSL-SW14-5P5	549	549	2,86	1	Carbon Steel	RAL 9010	-	-
<input type="checkbox"/>	FV255130648	687208	687208	6P6	CSL-SW14-6P6	651	651	3,93	1	Carbon Steel	RAL 9010	-	-
<input type="checkbox"/>	FV255148642	18-105074	781835	9P6	CSL-2SW14-9P6	956	651	5,8	1	Carbon Steel	RAL 9010	X	X
<input type="checkbox"/>	FV255130651	687424	687424	11P5	CSL-2SW14-11P5	549	1149	6,045	1	Carbon Steel	RAL 9010	X	X
<input type="checkbox"/>	FV255130652	687418	687418	12P6	CSL-2SW14-12P6	651	1261	7,56	1	Carbon Steel	RAL 9010	X	X

- Approved
- Approved as noted
- Revise and Resubmit

NAME: _____ SIGNATURE: _____
 COMPANY: _____ DATE: _____



DESCRIPTION Front Plate V2 for Cleanseal, Camseal 1, Camseal 2 and Pharmaseal EU SWIRL			
PROJECT -	LAST REVISION 19.03.2019	WEIGHT	
DRAWING REF. Customer Drawing - CL V2 - SW	SHEET 1/1	SIZE A3	

NB: The copyright of this drawing remains with Camfil. Contents must not be used, copied or disclosed to third parties without prior written consent. All rights reserved.