

L2 - SW - xPx - P - xx - T - C - xxx - N - A - 1 - A

REVISION	DESCRIPTION	DATE	DESIGN	APPROVED
F	INST. OPENING DIMENSIONS CORRECTED	03.06.2020	MAM	VPA

Material - Finish	
SW	SteelWhite RAL 9010

Filter front size	
3P3	305x305
4P4	457x457
3P6	305x610
5P5	508x508
6P6	610x610
9P6	915x610
11P5	1108x508
12P6	1220x610

Filter frame height	
MD-66	
78	

Air inlet size	
	available for:
160	3P3
200	3P6
250	4P4, 5P5, 6P6
315	5P5, 6P6, 9P6, 11P5, 12P6
355	12P6

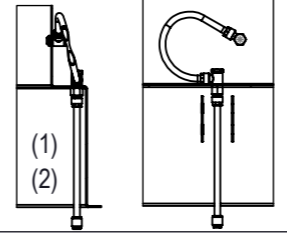
Filter clamping	
X	A
CamSeal 2 clamp tool free	

dp Pressure port	
1	1 Set mounted (Standard)
2	2 Sets mounted (Optional)

Universal support	
X	A
Integrated support	

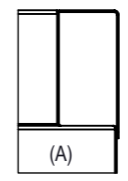


(A)



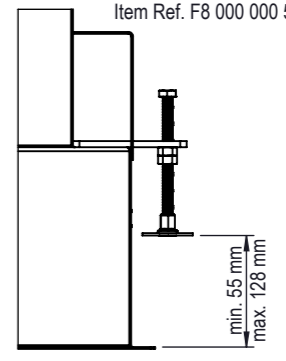
(1)

(2)



(A)

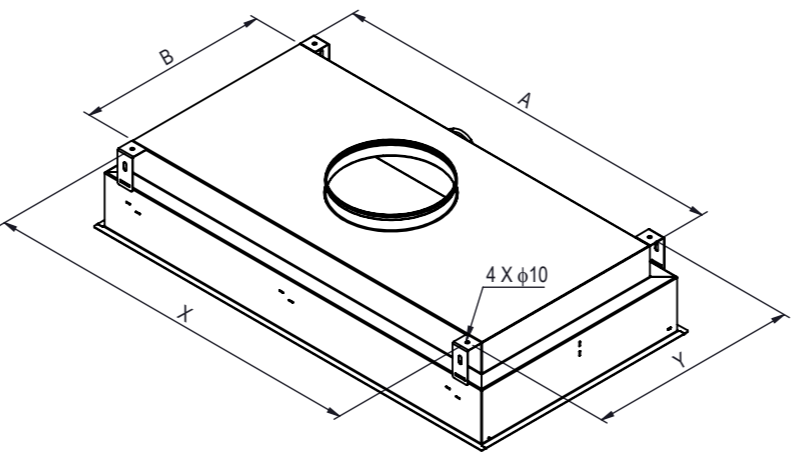
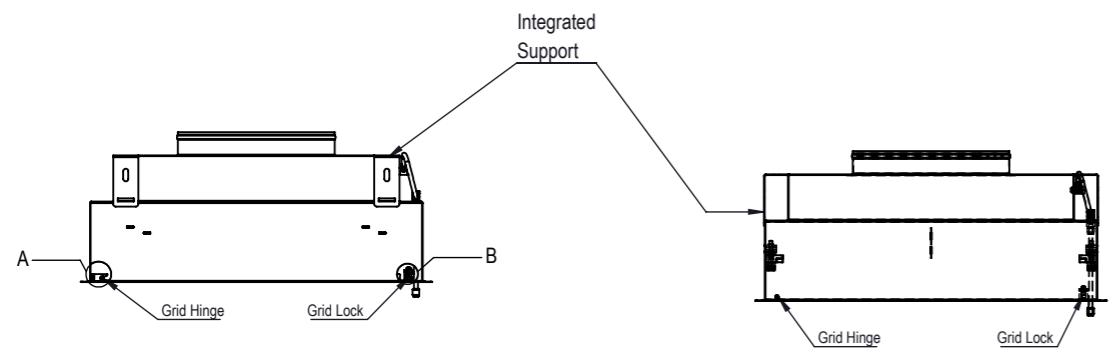
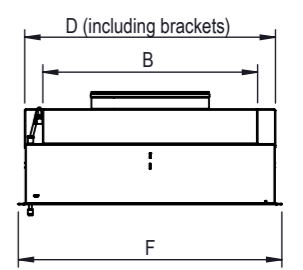
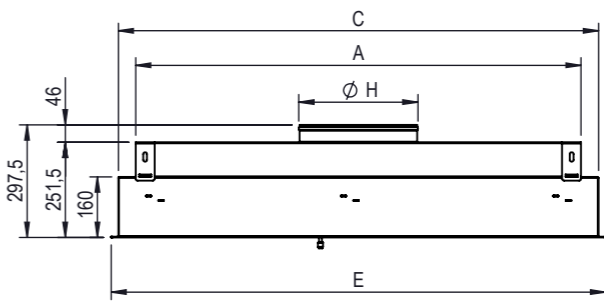
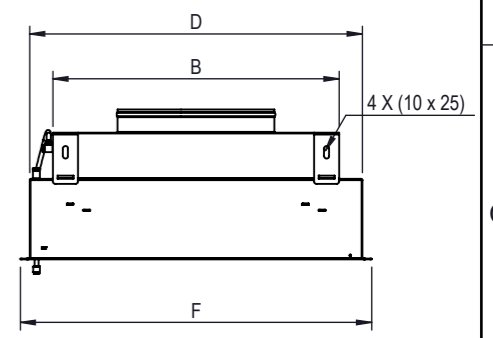
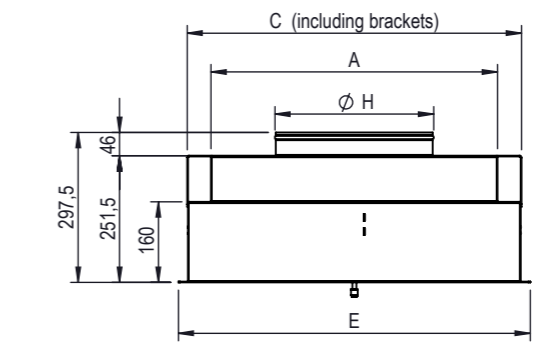
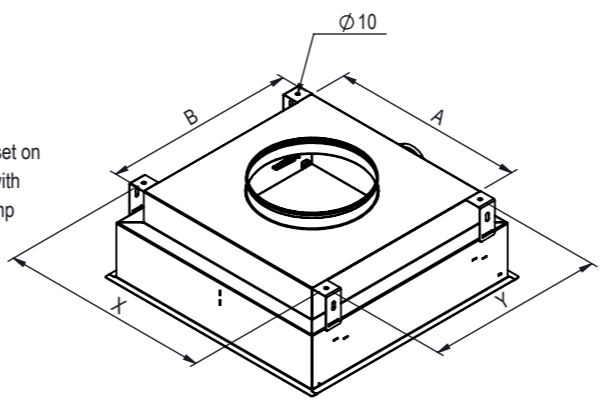
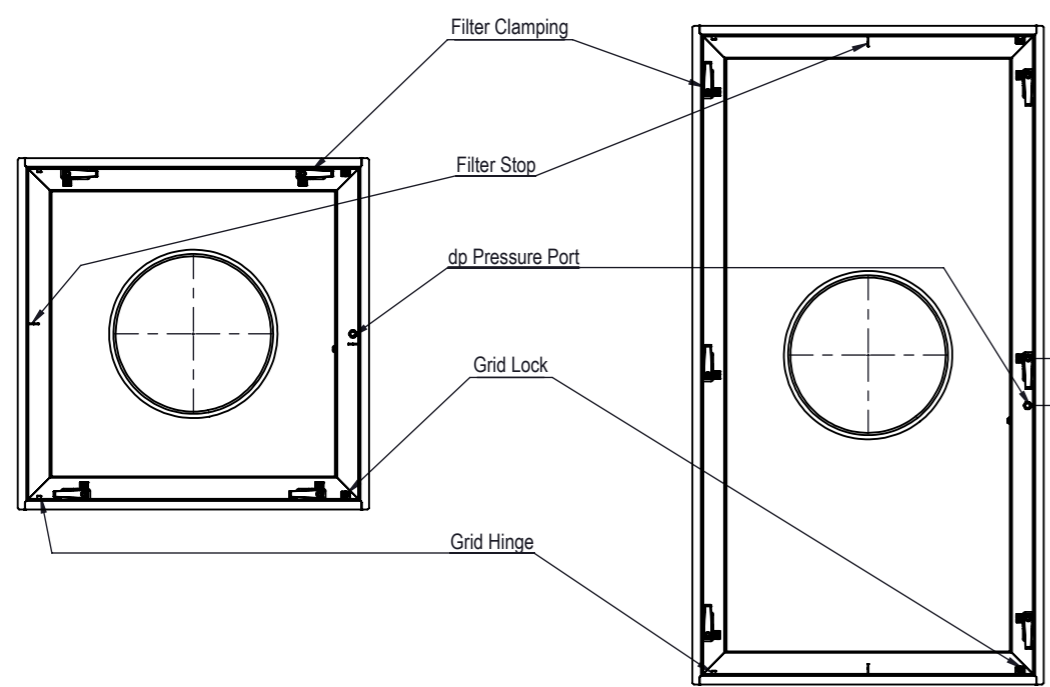
Option C
CamSeal 2 pressure screw kit for 1 housing (4x)
to be ordered separately
Item Ref. F8 000 000 5



min. 55 mm
max. 128 mm

Square Type

Rectangular Type



	φH	Model type	Housings FootPrint								Installation Opening		Weight (Kg)
			A	B	C	D	E	F	X	Y	Ext + 4	F	
3P3	160	L2-3P3-P-xx-T-C-160-x	263	263	358	355	392	392	309	213	362	362	6,3
4P4	250	L2-4P4-P-xx-T-C-250-x	415	415	510	507	544	544	461	365	514	514	9,5
3P6	200	L2-3P6-P-xx-T-C-200-x	568	263	660	358	697	392	518	309	664	362	9,4
5P5	250	L2-5P5-P-xx-T-C-250-x	466	466	561	558	595	595	515	416	565	565	10,8
	315	L2-5P5-P-xx-T-C-315-x	466	466	561	558	595	595	515	416	565	565	10,6
6P6	250	L2-6P6-P-xx-T-C-250-x	568	568	663	660	697	697	614	518	667	667	13,5
	315	L2-6P6-P-xx-T-C-315-x	568	568	663	660	697	697	614	518	667	667	13,3
9P6	315	L2-9P6-P-xx-T-C-315-x	873	568	965	663	1002	697	823	614	969	667	17,7
11P5	315	L2-11P5-P-xx-T-C-315-x	1066	466	1158	561	1195	595	1016	512	1162	565	18,3
	315	L2-12P6-P-xx-T-C-315-x	1178	568	1270	663	1307	697	1128	614	1274	667	21,9
12P6	315	L2-12P6-P-xx-T-C-315-x	1178	568	1270	663	1307	697	1128	614	1274	667	21,9
	355	L2-12P6-P-xx-T-C-355-x	1178	568	1270	663	1307	697	1128	614	1274	667	21,8

Product String: L2 - SW - P - T - C - N - A - 1 - A

- Approved
- Approved as noted
- Revise and Resubmit

NAME: _____ SIGNATURE: _____
COMPANY: _____ DATE: _____



DESCRIPTION		PROJECT		LAST REVISION		WEIGHT		SCALE	
CamSeal 2 - PU - Top Circular		Customer Drawing - L2-P-T-C		03.06.2020		see table		1/1 A3	

NB: The copyright of this drawing remains with Camfil. Contents must not be used, copied or disclosed to third parties without prior written consent. All rights reserved.