

L2 - SW - xPx - P - xx - S - C - xxx - x - xx - A - 1 - A

REVISION	DESCRIPTION	DATE	DESIGN	APPROVED
F	INST. OPENING DIMENSIONS CORRECTED	03.06.2020	MAM <i>MAM</i>	VPA <i>VPA</i>

Material - Finish	
SW	SteelWhite RAL 9010

Filter front size	
3P3	305x305
3P6	305x610
4P4	457x457
5P5	508x508
6P6	610x610
9P6	915x610
11P5	1108x508
12P6	1220x610

Filter frame height	MD-66
	78

Air inlet size	available for:
160	3P3
200	3P6
250	4P4, 5P5, 6P6
315	5P5, 6P6, 9P6, 11P5, 12P6

Damper	N No Damper
	D Damper

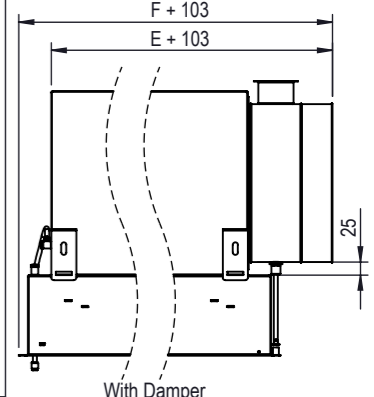
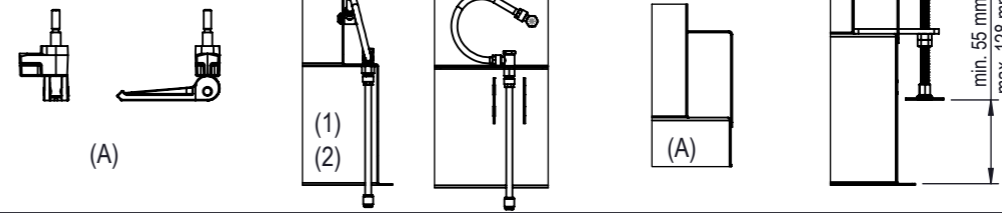
Entry pos.	00 All square
	LS Long Side
	SS Short Side

Filter clamping	X A CamSeal 2 clamp tool free
-----------------	-------------------------------

dp Pressure port	1 1 Set mounted (Standard)
	2 2 Sets mounted (Optional)

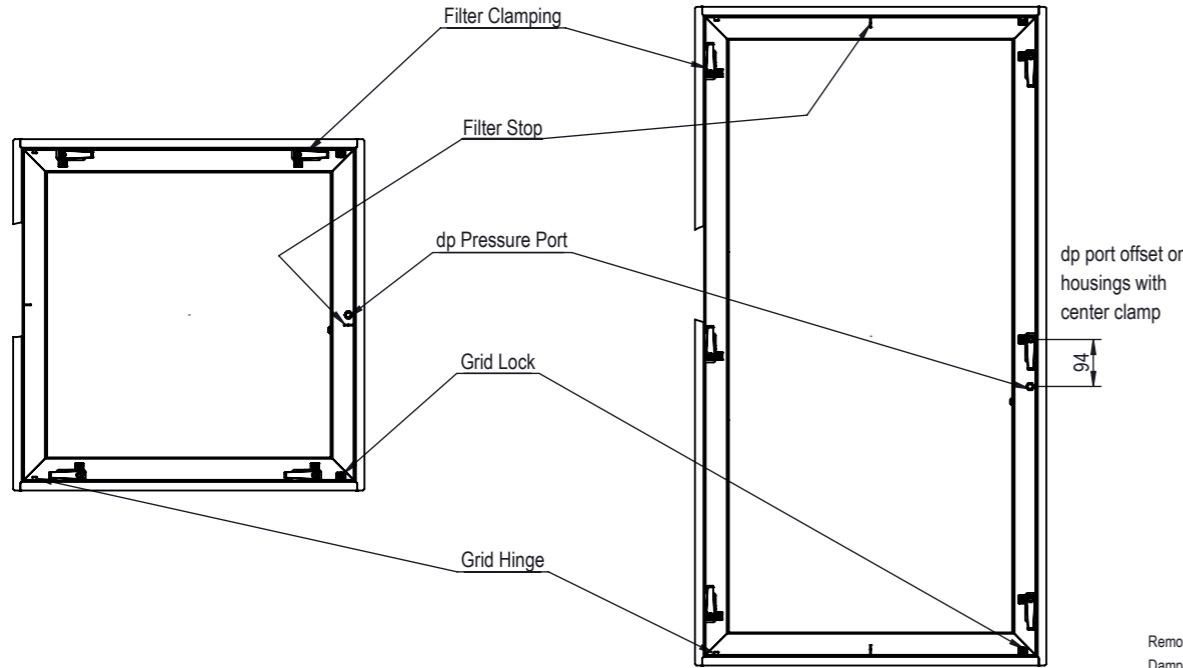
Universal support	X A Integrated support
-------------------	------------------------

Option C
CamSeal 2 pressure screw kit for 1 housing (4x)
to be ordered separately
Item Ref. F8 000 000 5

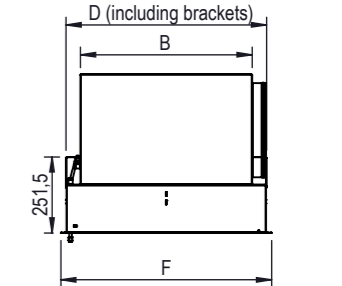
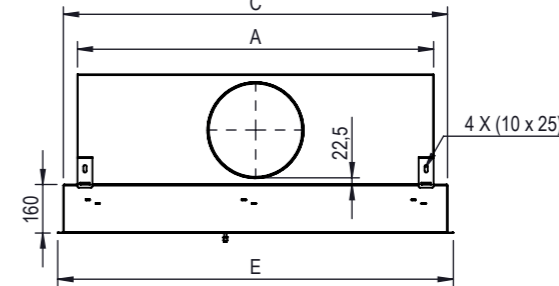
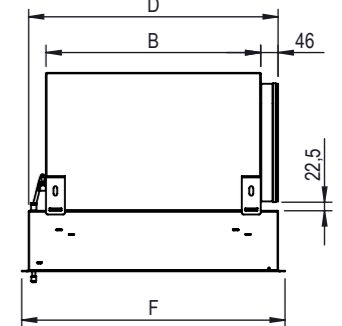
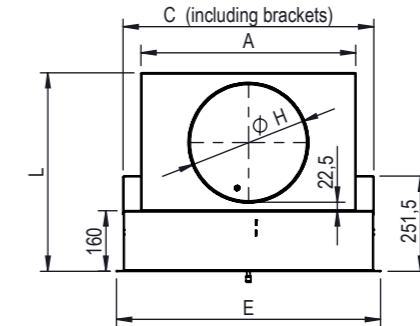
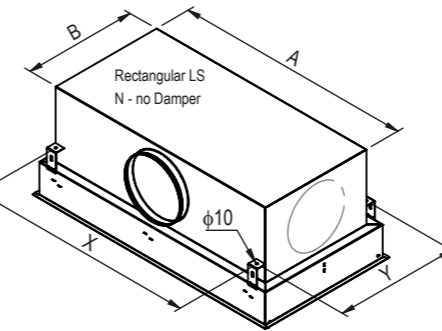
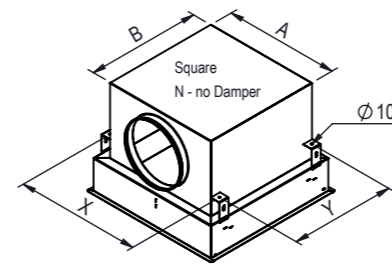


Square Type

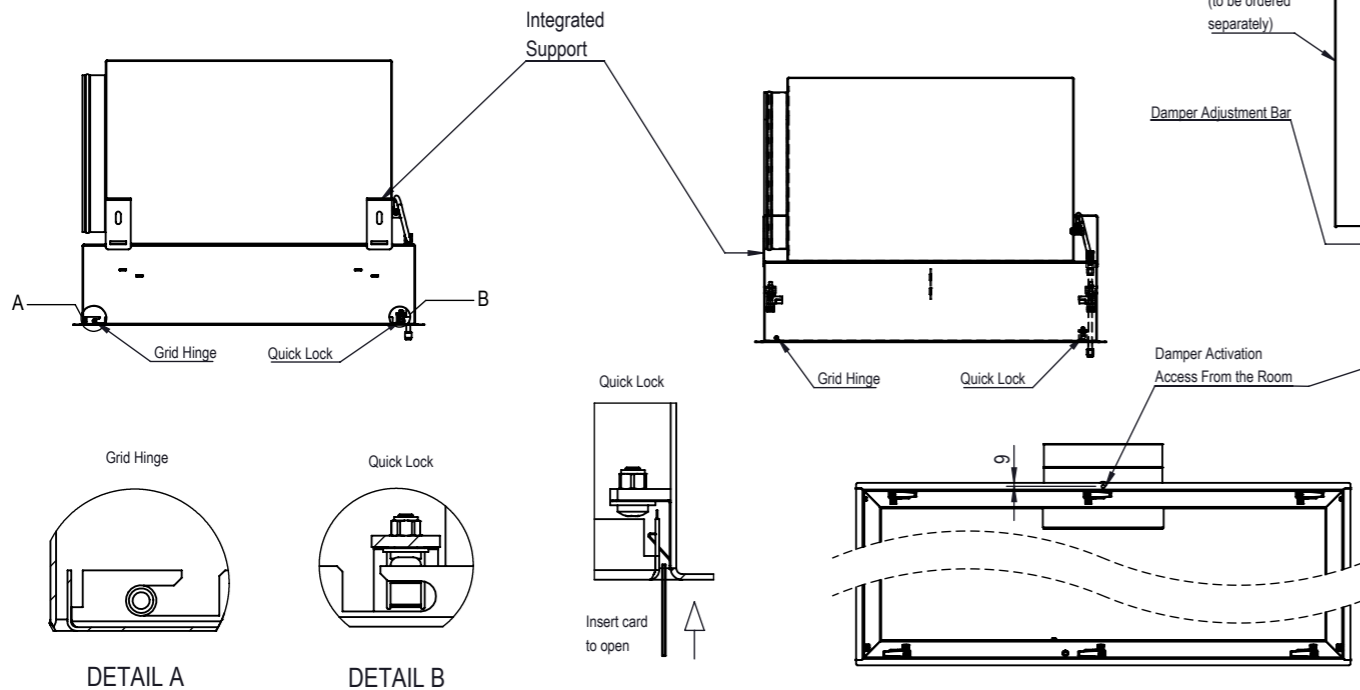
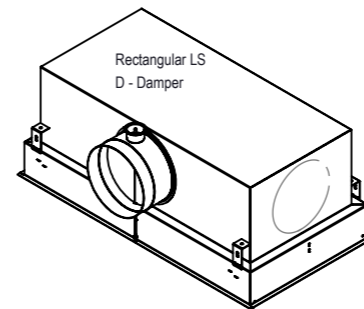
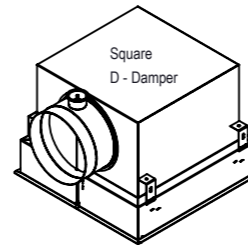
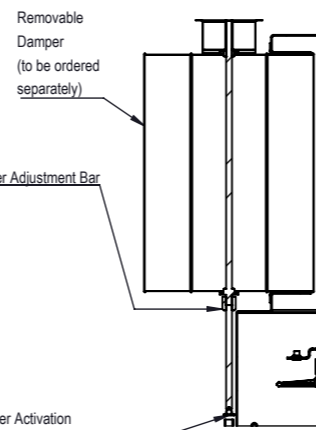
Rectangular Type



N - no Damper



D - Damper



φH	Model type	L	A	B	C	D	E	F	X	Y	Ext + 4	Weight (Kg)	
160	L2-3P3-P-xx-S-C-160-x	370	263	263	358	355	392	392	309	213	362	362	7,7
250	L2-4P4-P-xx-S-C-250-x	460	415	415	510	507	544	544	461	365	514	514	13,6
200	L2-3P6-P-xx-S-C-200-x-SS or LS	410	568	263	660	358	697	392	518	309	664	362	12,4
250	L2-5P5-P-xx-S-C-250-x	460	466	466	561	558	595	595	512	416	565	565	15,3
	L2-5P5-P-xx-S-C-315-x	525	466	466	561	558	595	595			565	565	16,53
250	L2-6P6-P-xx-S-C-250-x	460	568	568	663	660	697	697	614	518	667	667	19
	L2-6P6-P-xx-S-C-315-x	525	568	568	663	660	697	697			667	667	20,6
9P6	L2-9P6-P-xx-S-C-315-x-SS or LS	525	873	568	965	663	1002	697	823	614	969	667	26,9
11P5	L2-11P5-P-xx-S-C-315-x-SS or LS	525	1066	466	1158	561	1195	595	1016	512	1162	565	28
12P6	L2-12P6-P-xx-S-C-315-x-SS or LS	525	1178	568	1270	663	1307	697	1128	614	1274	667	33

Product String: L2 - SW - P - P - S - C - - - - - A - 1 - A

- Approved
- Approved as noted
- Revise and Resubmit

NAME: _____ SIGNATURE: _____
COMPANY: _____ DATE: _____



DESCRIPTION CamSeal 2 - PU - Side Circular			
PROJECT	LAST REVISION	WEIGHT	SCALE
	03.06.2020	see table	1:1
DRAWING REF.	SHEET	SIZE	SCALE
Customer Drawing - L2-P-S-C	1/1	A3	

Dampers NOT included, to be ordered separately

Description	EMC COMIC	Item code
DTU damper 160 Galv	F55779901	255815
DTU damper 250 Galv	F55779903	255819
DTU damper 315 Galv	F55779904	255822
DTU damper 355 Galv	F55779905	255823

NB: The copyright of this drawing remains with Camfil. Contents must not be used, copied or disclosed to third parties without prior written consent. All rights reserved.