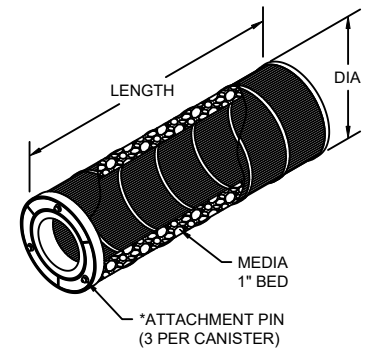


8	7	6	5	4	3	2	1		
✓	Model Number	Part Number	Dia x Length mm / inch	Rated Airflow m ³ /hr / ft ³ /min (16 cylinders)	Pressure Drop (+/-15%) Pa / In. WG	Nominal Weight kg / lbs.	Optimum Operating Temperature °C / °F	Optimum Operating RH %	CONSTRUCTION: 1. Cylinders shall be constructed of ABS plastic. 2. Gasket shall be double seal, molded TPE.
F	CCCG2600 ACIDS	M23000247	148x452 / 5.7x17.8	2500 / 1470	135 / 0.54	2.9 / 6.4	10-60 / 50-140	40-90	NOTES: 1. Pressure drop is per rated airflow for quantity sixteen (16) cylinders on a 610mm x 610mm / 24"x24" (nominal) opening. 2. Cylinders should not be used in conditions above 60°C / 140°F or below -21°C / -5.8°F. 3. See drawing 2126-002 for the same CamCarb Cylinders in stainless steel.
	CCCG2600 ACIDS_NO2	M23000379	148x452 / 5.7x17.8	2500 / 1470	135 / 0.54	2.9 / 6.4	10-60 / 50-140	40-90	
	CCCG2600 ACIDS_H2S	M23000272	148x452 / 5.7x17.8	2500 / 1470	135 / 0.54	4.4 / 9.7	10-60 / 50-140	40-90	
E	CCCG2600 ALDEHYDES	M23000415	148x452 / 5.7x17.8	2500 / 1470	135 / 0.54	4.4 / 9.7	10-60 / 50-140	40-90	
	CCCG2600 BASES	M23000248	148x452 / 5.7x17.8	2500 / 1470	135 / 0.54	2.9 / 6.4	10-60 / 50-140	40-90	
	CCCG2600 ETHYLENE	M23000416	148x452 / 5.7x17.8	2500 / 1470	135 / 0.54	4.4 / 9.7	10-60 / 50-140	40-90	
	CCCG2600 DECONTAMINATE	M23000419	148x452 / 5.7x17.8	2500 / 1470	100 / 0.40	2.8 / 6.2	Max. 40 / Max. 104	0-70	
	CCCG2600 H2S_MERCAPTANS	M23000377	148x452 / 5.7x17.8	2500 / 1470	135 / 0.54	2.9 / 6.4	10-60 / 50-140	40-90	
	CCCG2600 O3	M23000418	148x452 / 5.7x17.8	2500 / 1470	100 / 0.40	2.8 / 6.2	Max. 40 / Max. 104	0-70	
	CCCG2600 SO2_H2S	M23000267	148x452 / 5.7x17.8	2500 / 1470	135 / 0.54	4.4 / 9.7	10-60 / 50-140	40-90	
	CCCG2600 TERPENES	M23000431	148x452 / 5.7x17.8	2500 / 1470	100 / 0.40	2.8 / 6.2	Max. 40 / Max. 104	0-70	
D	CCCG2600 VOC	M23000246	148x452 / 5.7x17.8	2500 / 1470	135 / 0.54	2.9 / 6.4	Max. 40 / Max. 104	0-70	
	CCCG2600 VOC_ALDEHYDES	M23000417	148x452 / 5.7x17.8	2500 / 1470	135 / 0.54	3.7 / 8.2	Max. 40 / Max. 104	40-70	
	CCCG2600 VOC_H2S_SO2	M23000278	148x452 / 5.7x17.8	2500 / 1470	135 / 0.54	3.7 / 8.2	Max. 40 / Max. 104	40-70	
	CCCG2600 VOC_O3_ACID_H2S	M23000386	148x452 / 5.7x17.8	2500 / 1470	135 / 0.54	3.6 / 7.9	Max. 40 / Max. 104	40-70	
	CCCG2600 VOC_O3_H2S_SO2	M23000328	148x452 / 5.7x17.8	2500 / 1470	135 / 0.54	3.6 / 7.9	10-60 / 50-140	40-90	
C	CCCG2600 VOC_O3_NO2_SO2	M23000329	148x452 / 5.7x17.8	2500 / 1470	100 / 0.40	2.8 / 6.2	Max. 40 / Max. 104	0-70	



CUSTOMER APPROVAL BLOCK

CUSTOMER _____

CUSTOMER PO _____

YOUR APPROVAL OF THIS PRINT AUTHORIZES CAMFIL TO PROCEED WITH MATERIAL PROCUREMENT, TOOLING AND PRODUCT FABRICATION. ANY CHANGES MADE AFTER APPROVAL MAY INCUR FURTHER EXPENSES TO THE CUSTOMER

SIGNATURE / DATE _____



DESCRIPTION:
CamCarb CCCG2600
Cylindrical Molecular Filters

APPROVED BY:	DATE:	DRAWN BY:	DATE:
TLC	7/24/20	GDM	7/24/20
SHEET	DRAWING NUMBER		REV.
1 of 1	2112-002		0