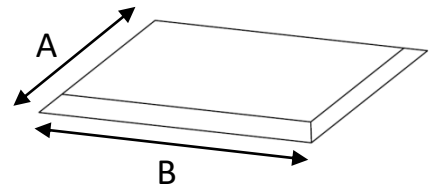


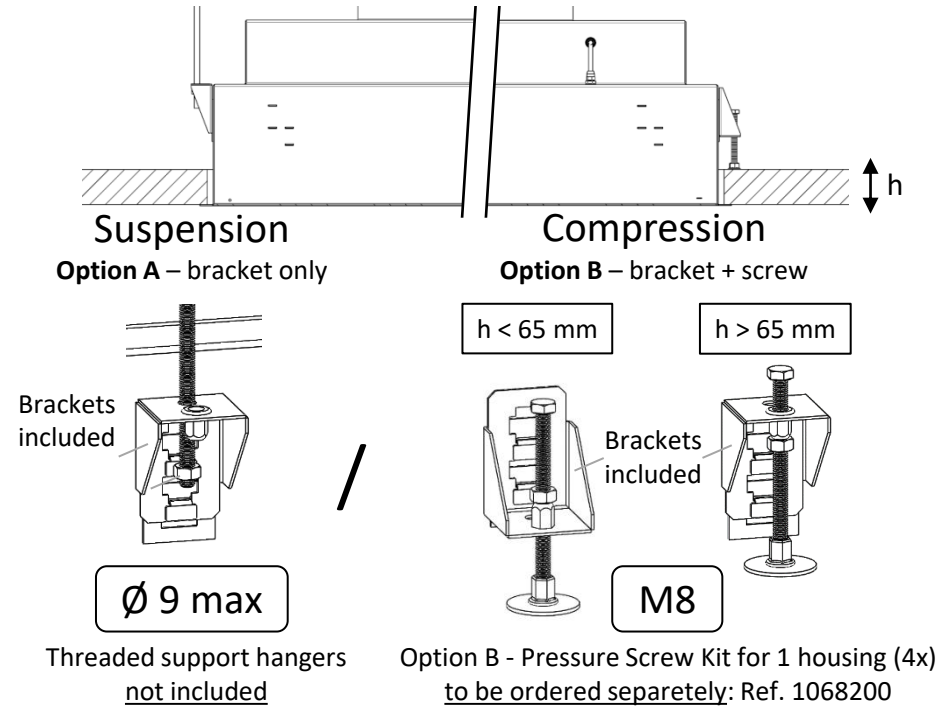


Housing Installation

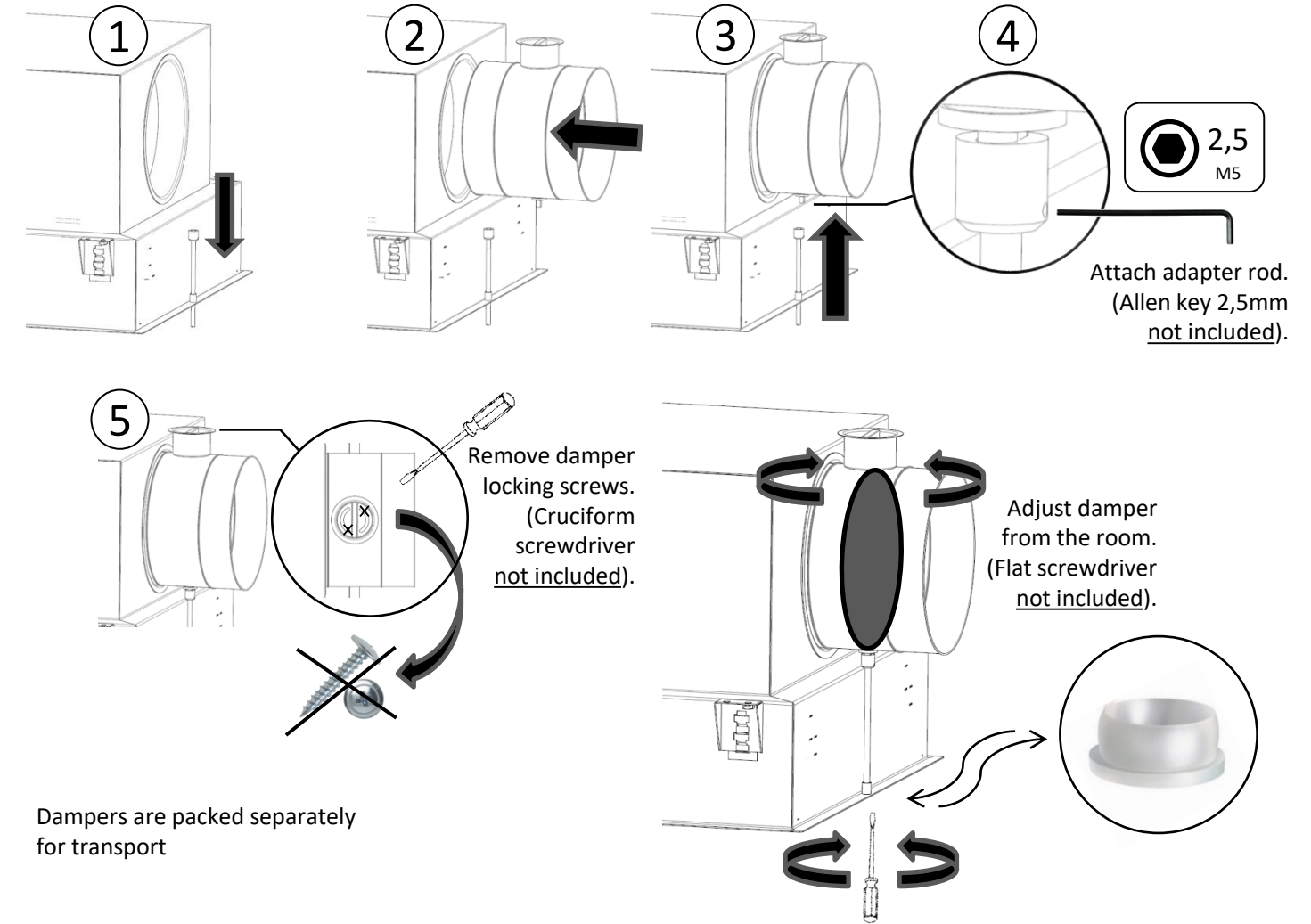


Recommended cutout dimensions

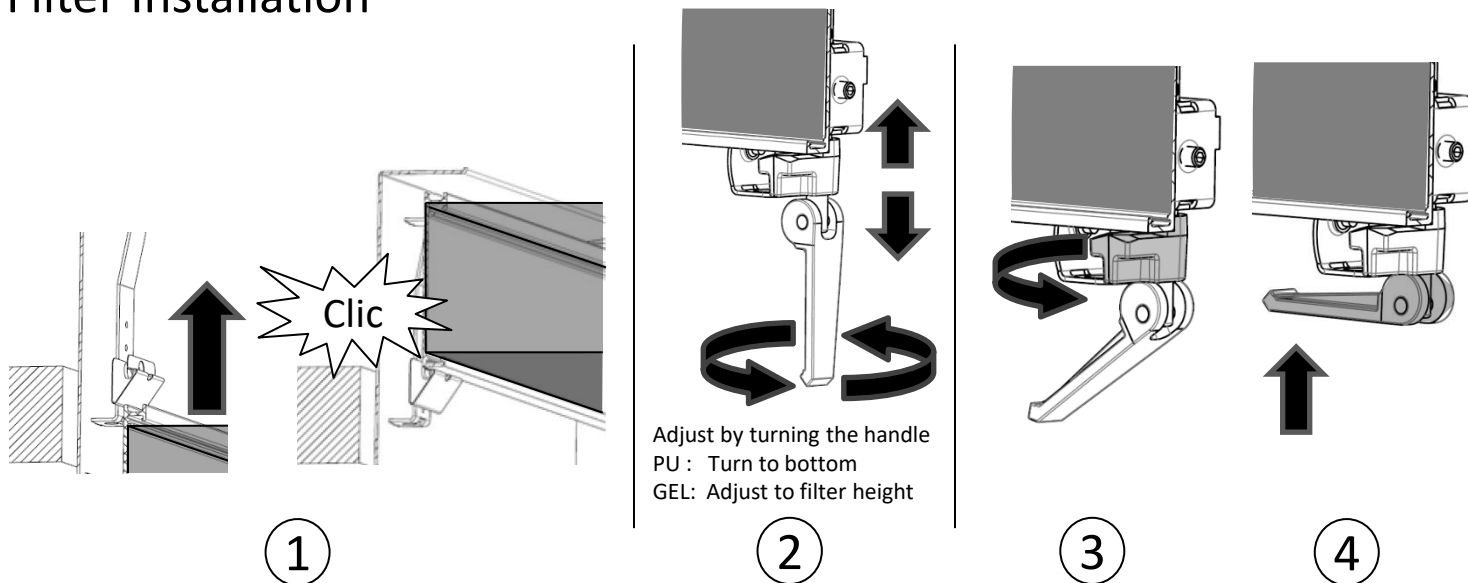
CL	Filter Size	A [mm]	B [mm]
Square	3P3	374	374
	4P4	526	526
	5P5	577	577
	6P6	679	679
	9P9	987	984
Rect.	3P6	374	667
	9P6	679	972
	11P5	577	1165
	12P6	679	1277



Damper Installation

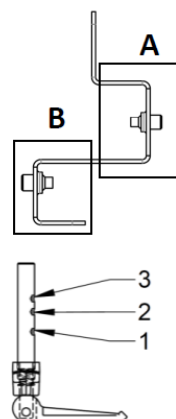


Filter Installation

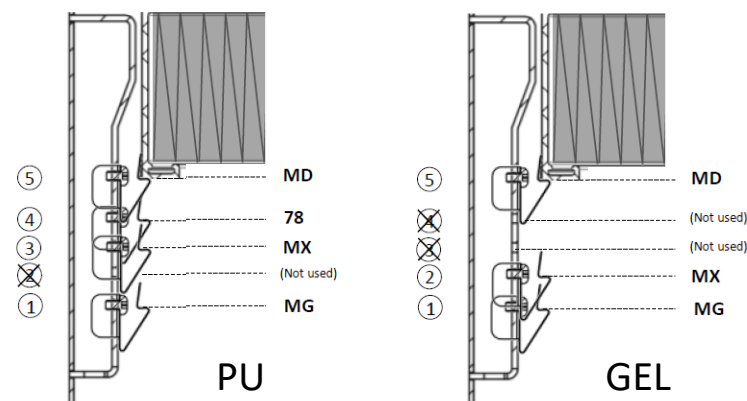


Clamp Settings

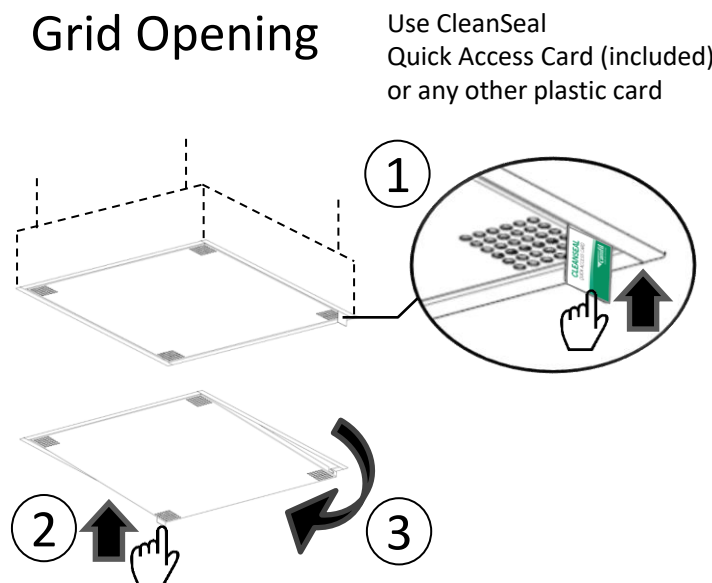
Filter Height	Clamp Config. PU	Clamp Config. GEL
MD	A-1	A-1
78	A-2	N/A
MX	B-1	B-2
MG	B-3	B-3



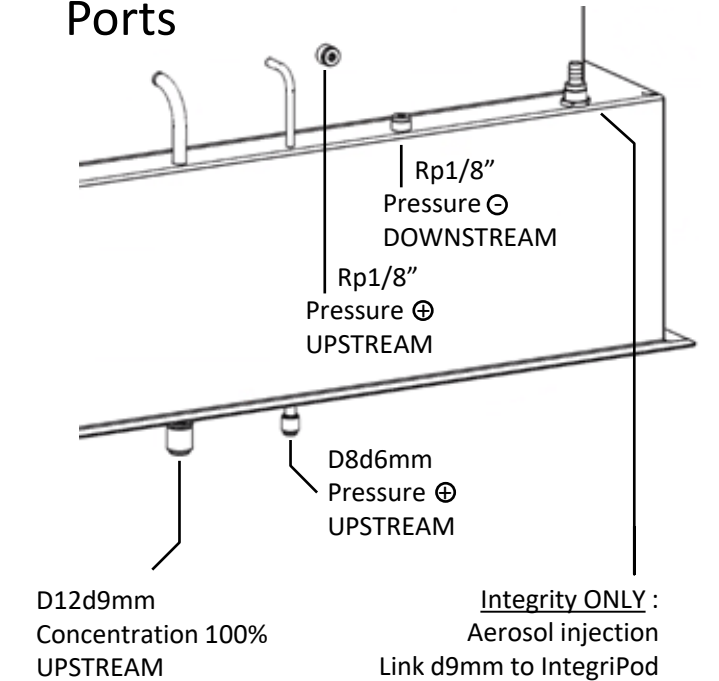
Retainer Settings



Grid Opening

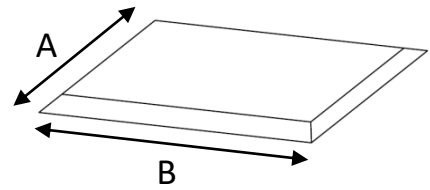


Ports



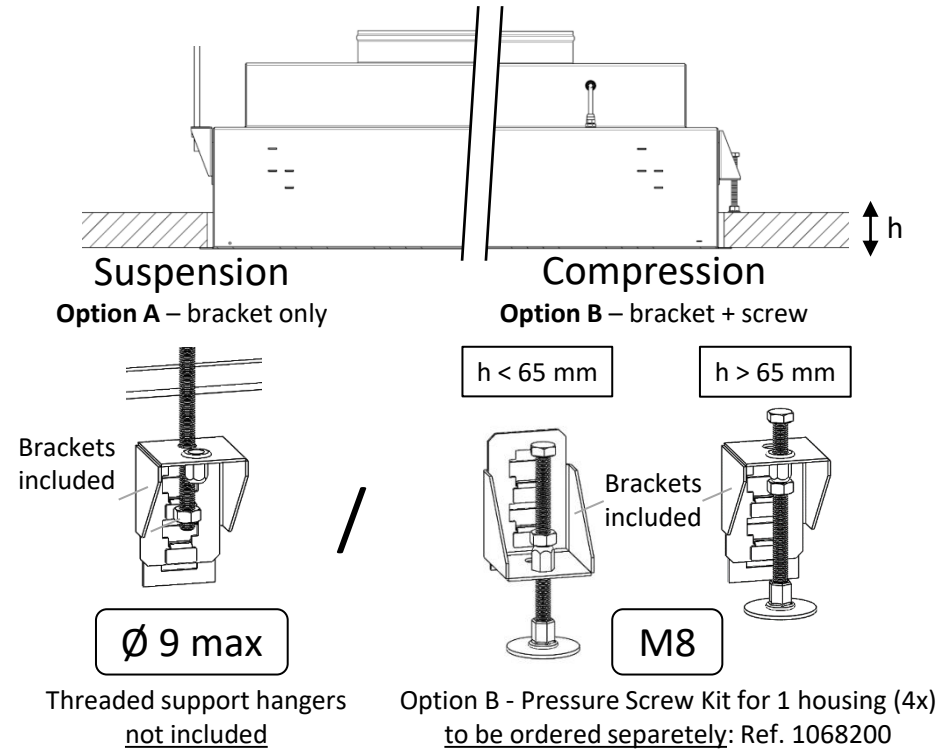


Housing Installation

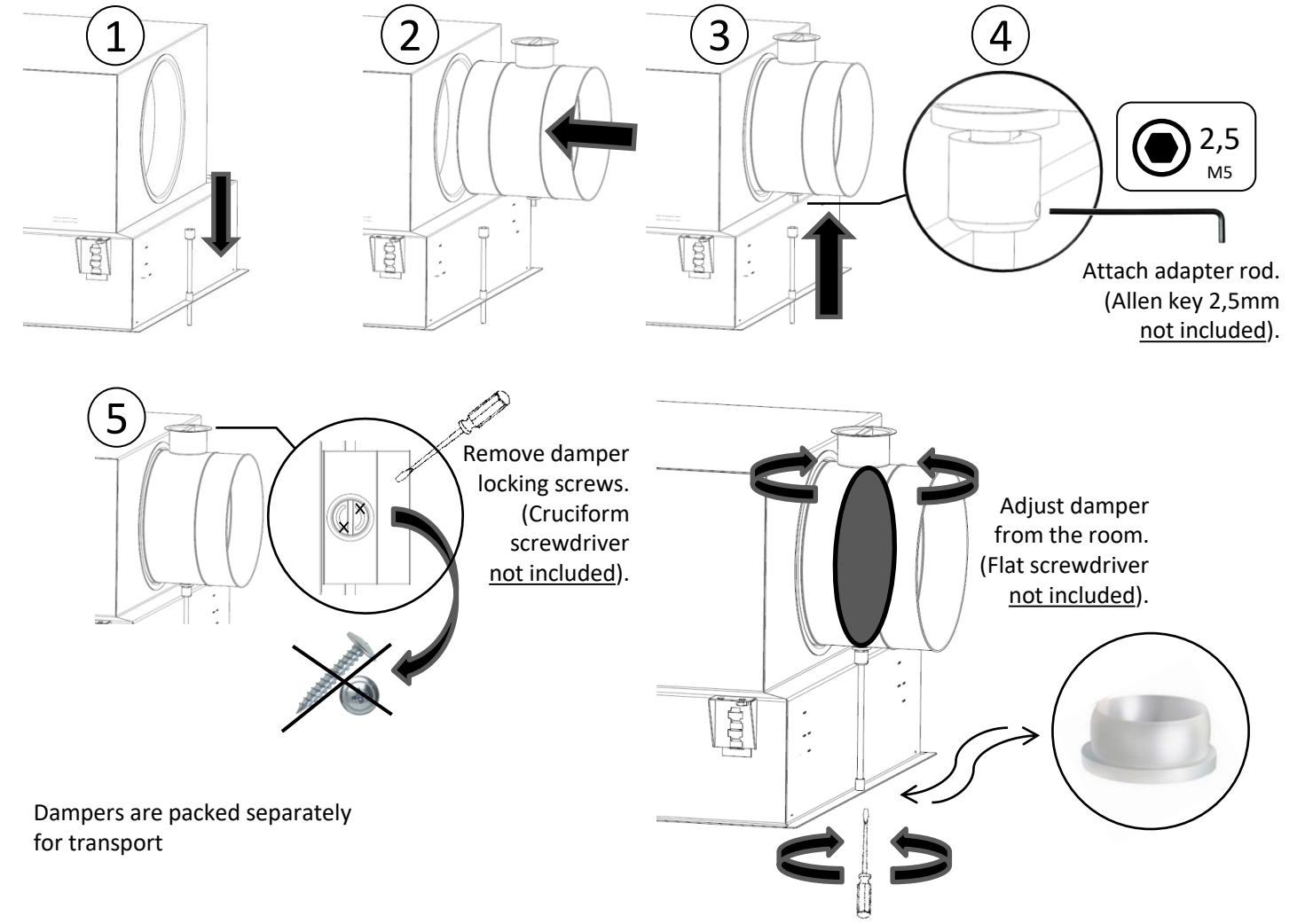


Recommended cutout dimensions

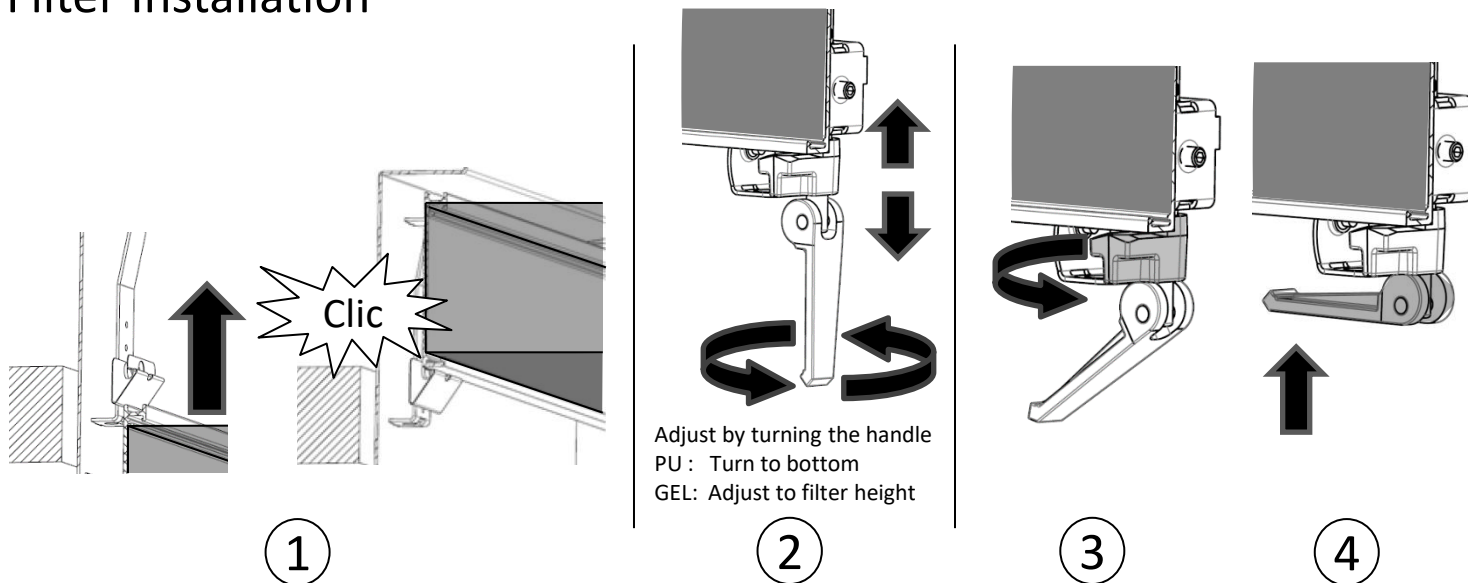
CL	Filter Size	A [mm]	B [mm]
Square	3P3	374	374
	4P4	526	526
	5P5	577	577
	6P6	679	679
	9P9	987	984
Rect.	3P6	374	667
	9P6	679	972
	11P5	577	1165
	12P6	679	1277



Damper Installation



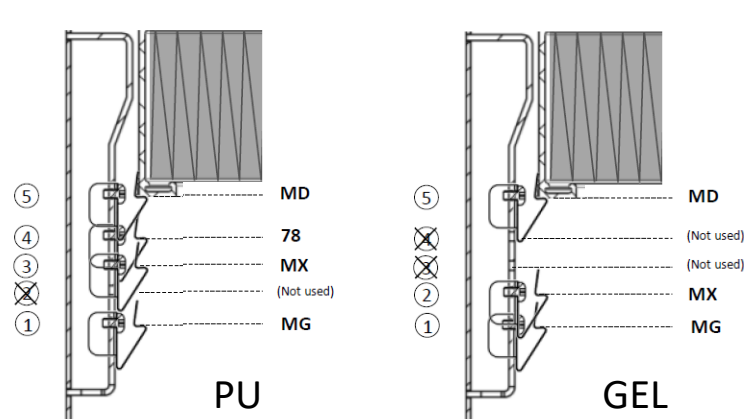
Filter Installation



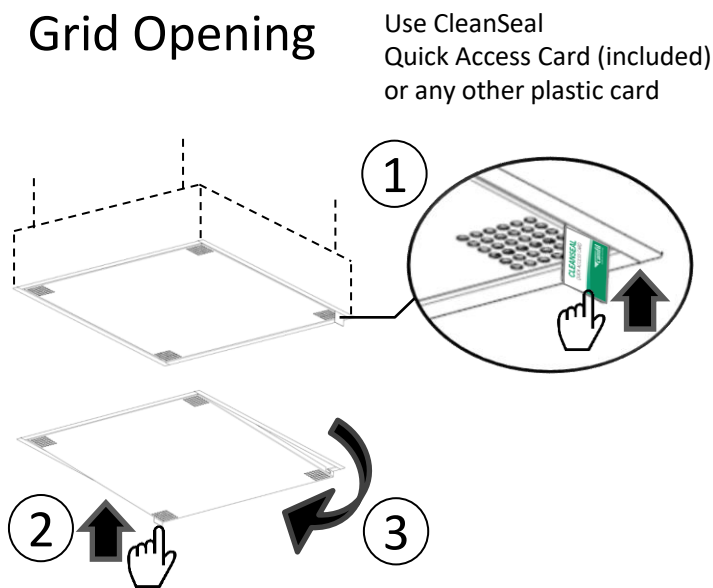
Clamp Settings

Filter Height	Clamp Config. PU	Clamp Config. GEL
MD	A-1	A-1
78	A-2	N/A
MX	B-1	B-2
MG	B-3	B-3

Retainer Settings



Grid Opening



Ports

