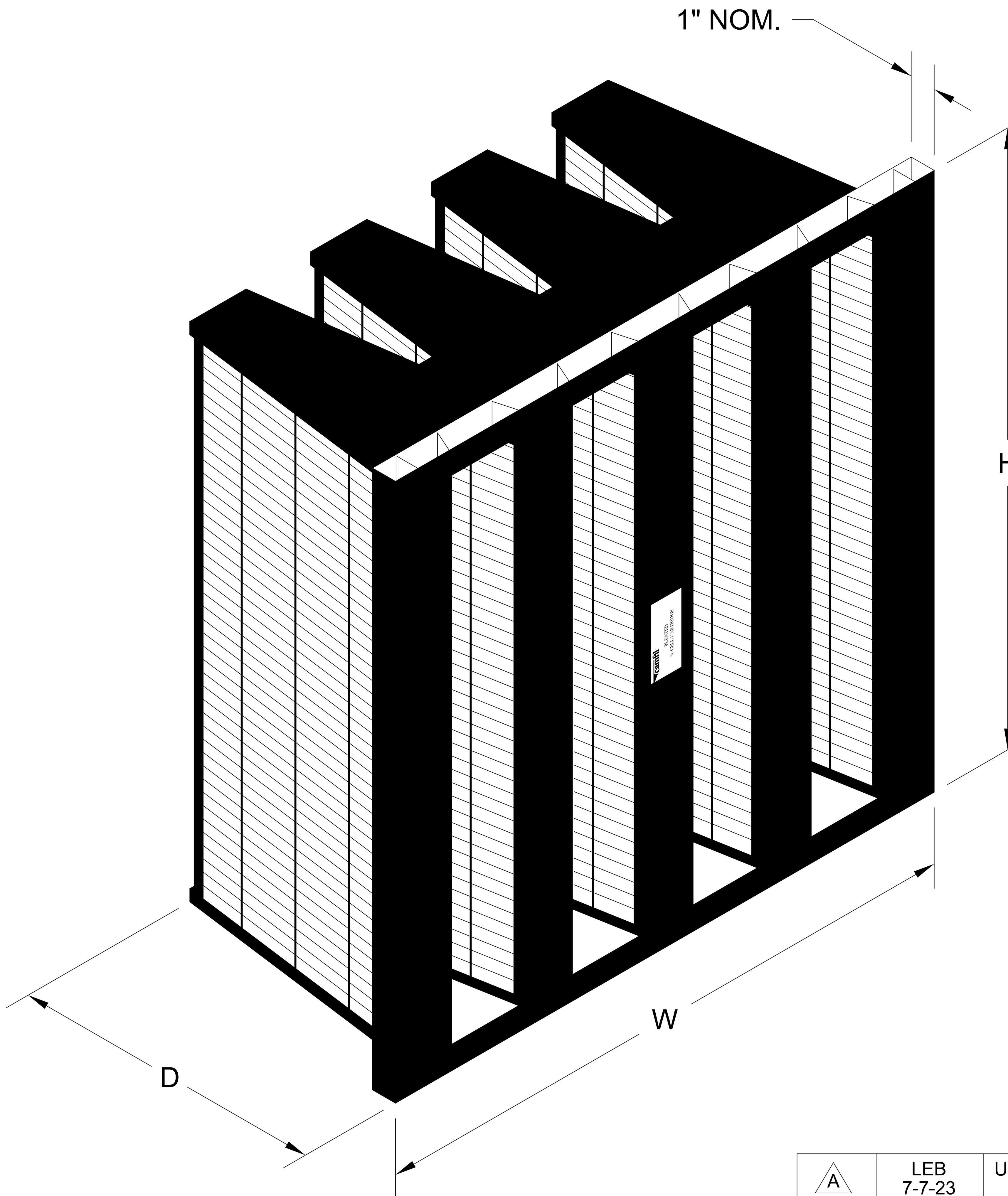


8		7		6		5		4		3		2		1	
QTY	DESIGNATOR	PART NUMBER	SIZE H x W x D INCHES (MM)		CAPACITY CFM (CMH)	MEDIA AREA FT ² (M ²)		SHIPPING WGT. LBS. (KG)		GENERAL INFORMATION					
	CIZP-7C-242412-4V-21-00	M20000072	23.31"x23.31"x11.81" (592mm x 592mm x 300mm)		2000 (3398)	87.651 (8.143)		21 (10)		FRAME	POLYSTYRENE				
F	CIZP-7C-202412-4V-21-00	M20000073	19.31"x23.31"x11.81" (490mm x 592mm x 300mm)		1650 (2803)	71.580 (6.650)		15 (7)		FRAME STYLE	HEADERED				
	CIZP-7C-122412-4V-21-00	M20000074	11.31"x23.31"x11.81" (287mm x 592mm x 300mm)		1000 (1699)	39.439 (3.664)		11 (5)		MEDIA	SYNTHETIC FIBER, WITH EMBEDDED MEDIA FOR OZONE, VOC'S AND ACID GASES				
										INCINERABLE	YES				
										TEMPERATURE	104° F (40° C)				
										HUMIDITY	70%				
										MERV RATING	15				
										OZONE (O ₃) RATING	8				
										INITIAL PRESSURE DROP	0.50" W.G. (125 Pa)				
										RECOMMENDED MAXIMUM PRESSURE DROP	1.50" W.G. (374 Pa)				




1" NOM.

H

W

D

CUSTOMER APPROVAL BLOCK			
CUSTOMER _____			
CUSTOMER PO _____			
YOUR APPROVAL OF THIS PRINT AUTHORIZES CAMFIL TO PROCEED WITH MATERIAL PROCUREMENT, TOOLING AND PRODUCT FABRICATION. ANY CHANGES MADE AFTER APPROVAL MAY INCUR FURTHER EXPENSES TO THE CUSTOMER			
SIGNATURE / DATE _____			
			
© Camfil http://www.camfil.us			
DESCRIPTION: CITYCARB CH V-CELL CARTRIDGE			
APPROVED BY:	DATE:	DRAWN BY:	DATE:
TLC	9/18/17	DJD	9/18/17
SHEET	DRAWING NUMBER		REV.
1 of 1	2120-001		A

REV.	DRAWN BY DATE	DESCRIPTION:	AS 7-7-23	APPR. BY DATE
A	LEB 7-7-23	UPDATED "D" DIMENSION WAS 11.50"		