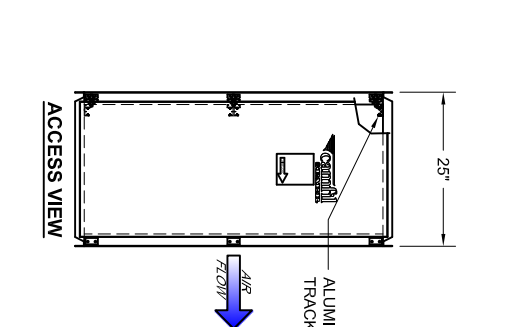
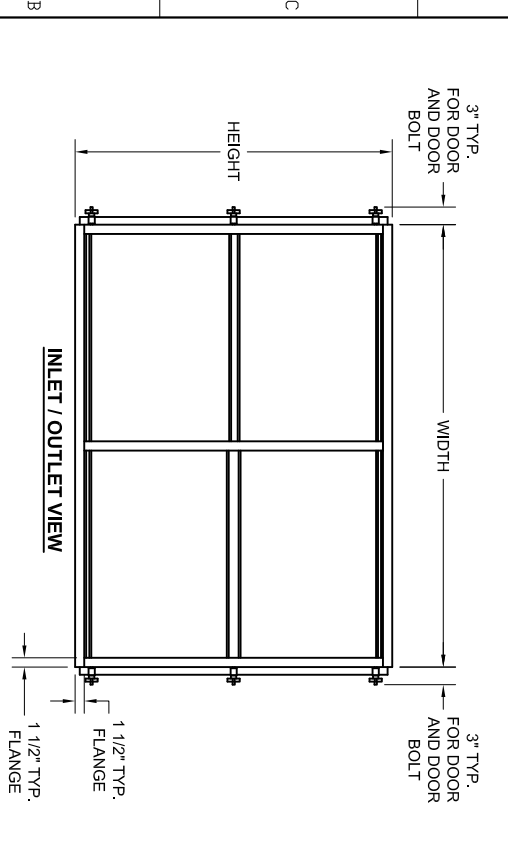
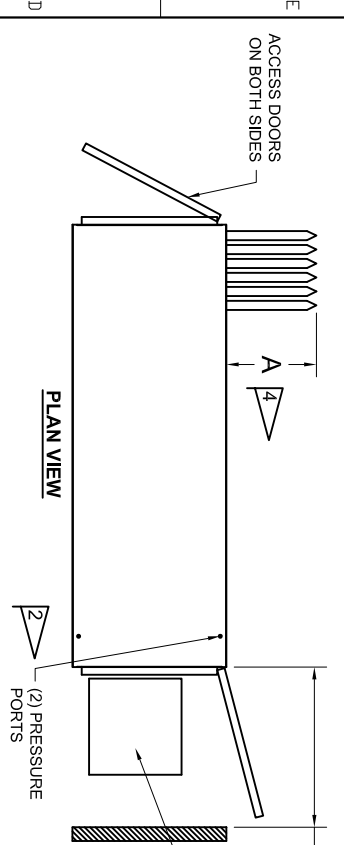


TABLE I - STANDARD UNIT AIRFLOW RATING

NO. OF FILTERS	1/2	1	1-1/2	2	2-1/2	3	3-1/2	4	4-1/2	5	5-1/2	6
WIDTH INCHES	11.38	23.38	34.75	46.75	58.13	70.13	81.50	93.50	104.88	116.88	128.25	140.25
NO. OF FILTERS HIGH INCHES	-	1,000	-	2,000	-	3,000	-	4,000	-	5,000	-	6,000
AIRFLOW CAPACITIES (CFM), AT 500 FPM												
1	27,25	1,000	2,000	3,000	4,000	5,000	6,000	7,000	8,000	9,000	10,000	12,000
1-1/2	38,50	-	3,000	-	6,000	-	9,000	-	12,000	-	15,000	18,000
2	51,50	2,000	4,000	6,000	8,000	10,000	12,000	14,000	16,000	20,000	22,000	24,000
2-1/2	63,75	-	5,000	-	10,000	-	15,000	-	20,000	-	25,000	30,000
3	75,75	3,000	6,000	9,000	12,000	15,000	18,000	21,000	24,000	27,000	30,000	33,000
3-1/2	88,00	-	7,000	-	14,000	-	21,000	-	28,000	-	35,000	42,000
4	100,00	4,000	8,000	12,000	16,000	20,000	24,000	28,000	32,000	36,000	40,000	44,000
												48,000

**TABLE II
GP HOUSING OPTIONS**

OPTION	DESCRIPTION
UT25	STANDARD
UT25D	INSULATED DOORS
UT29	FULLY INSULATED
UT25H	HIGH PRESSURE (4x 8" W.G.)
UT25HD	HIGH PRESSURE, INSULATED DOORS
UT25HH	HIGH PRESSURE, FULLY INSULATED



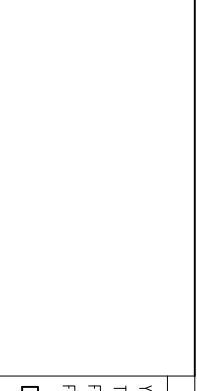
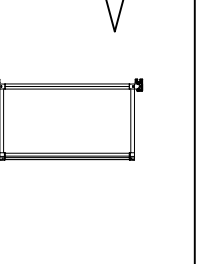
GENERAL NOTES:

- UNIT IS COMPLETELY FACTORY ASSEMBLED. FOR CAPACITY REFER TO TABLE I. FOR APPLICATION REFER TO SALES BULLETIN 24 27 - (LATEST REV.)
- STANDARD MATERIAL OF CONSTRUCTION: 16 GA. GALVANIZED STEEL HOUSING, EXTRUDED ALUMINUM TRACKS WITH FIN SEAL, NEOPRENE DOOR GASKET AND PHENOLIC KNOBS FOR POSITIVE DOOR SEALING. TWO (2) PRESSURE PORTS INSTALLED UPSTREAM AND DOWNSTREAM.
- HOUSING OPTIONS:
 - (SPECIAL PRICING AND PART NUMBERS REQUIRED) 16 GA. 304/L, 316/L STAINLESS STEEL OR 0.0625 ALUMINUM HOUSING.
 - OTHER SPECIAL OPTIONS REQUIRE CAMFIL FARR SALES AND ENGINEERING CONSULTATION.
- "A" DIMENSION (EXTENSION PAST HOUSING) IS BASED ON THE FINAL FILTER BEING A BAG FILTER. SEE FILTER COMBINATIONS.
- ORDERING INFORMATION: SEE TABLE I AND II SPECIFY OPTIONS AND SIZE
EXAMPLE:
GP UT251 * 2HX2W
Options: GlidePack Housing, Housing Height X Width
Material: Blank = No Options, I = Fully Insulated, D = Insulated Doors, H = High Pressure
Note: Can be combined example HI = High Pressure and Insulated

PERFORMANCE NOTES:

- STANDARD HOUSING OPERATING PRESSURE TO 4th W.G. INTEGRITY OF HOUSING TO AMBIENT LEAKAGE IS LESS THAN 0.5% AT 3" W.G. LEAKAGE AROUND FILTER LESS THAN 1% OF RATED FLOW AT 3" W.G. DIFFERENTIAL.
- OPERATING TEMPERATURE 250° F CONTINUOUS. MEETS NFPA 90A AND TESTED PER ASTM-E84.
- INSULATION ON INSULATED UNITS IS 1" THICK AND IS RATED AT 0.25 - 0.30 "K" FACTOR.
- HIGH PRESSURE UNITS OPERATING PRESSURE TO 4th W.G.

FILTER COMBINATIONS:
HOUSINGS IS DESIGNED FOR HEADER FILTER.
IF A HEADERED BAG FILTER IS USED, THE BAG WILL EXTENDED OUTSIDE THE HOUSING PER THE FOLLOWING DIMENSION.



CUSTOMER APPROVAL BLOCK
YOUR APPROVAL OF THIS PRINT AUTHORIZES CAMFIL FARR TO PROCEED WITH MATERIAL PROCUREMENT, TOOLING AND PRODUCT FABRICATION. ANY CHANGES MADE AFTER APPROVAL MAY INCUR FURTHER EXPENSES TO THE CUSTOMER.
 OK AS IS OK WITH REVISIONS SEND REVISED DWG
SIGNATURE/DATE: _____ DATE: _____
APPROVED BY: _____ DATE: _____
DRAWN BY: _____ DATE: _____
TLC 9/5/12

©Camfil Farr
http://www.camfilfarr.com

DESCRIPTION: CAMFIL FARR GLIDEPACK UNITRACK25 HOUSING SALES DRAWING

DRAWING NUMBER: M243 UT25

SHEET: 1 of 1

REV: B