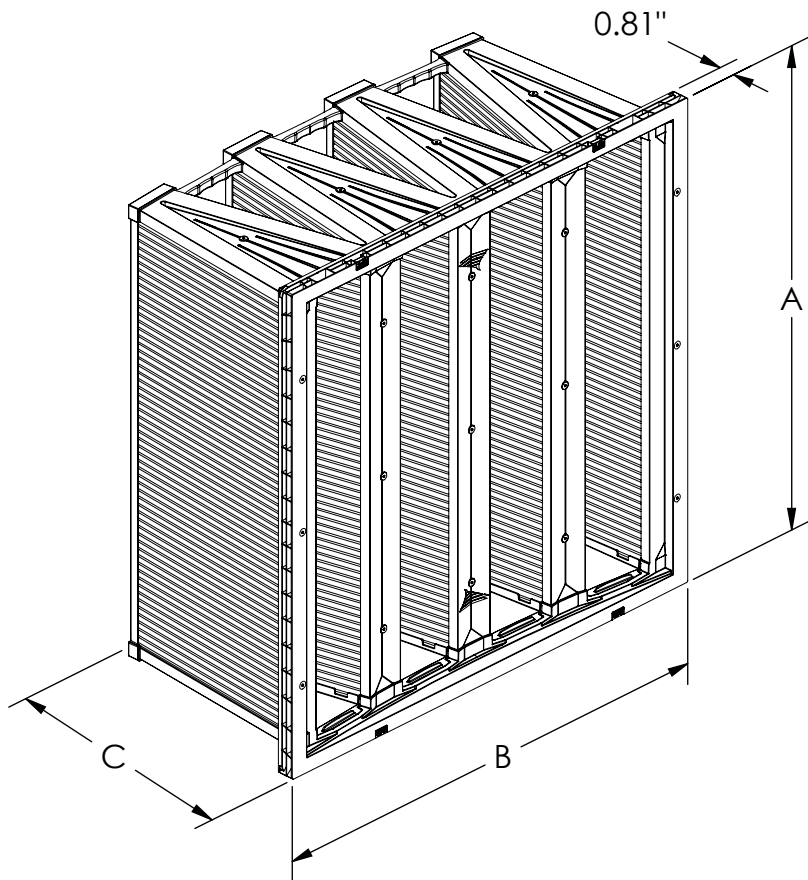


✓	NOMINAL SIZE (in inches)	DIMENSIONS TO OUTER FLANGE (in inches) A x B x C	DIMENSIONS TO OUTER FLANGE (in millimeters) A x B x C	RATED AIR FLOW (CFM)	MEDIA AREA (sq. ft.)	WEIGHT (lbs.)
	12 x 24	11-5/16 x 23-5/16 x 11-5/8	287 x 592 x 295	1000	100	6
	20 x 24	19-5/16 x 23-5/16 x 11-5/8	490 x 592 x 295	1500	160	9
	24 x 24	23-5/16 x 23-5/16 x 11-5/8	592 x 592 x 295	2000	200	10

* OPTIONS ADDED TO MODEL DESCRIPTION AS FOLLOWS:

DU4V-ES-2424-MV14-XX

XX - NO GASKET (00)
 XX - PERIMETER GASKET (02)
 XX - PERIMETER GASKET (03)



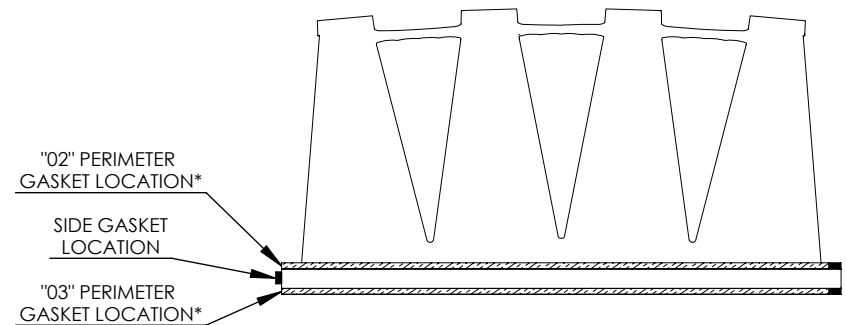
NOTES:


- MEDIUM EFFICIENCY MINI PLEAT V-BANK DISPOSABLE FILTER. EFFICIENCY IS TESTED IN ACCORDANCE WITH ASHRAE 52.2-(LATEST REV). AVAILABLE EFFICIENCIES: MERV 11, 13, 14, AND 16.
- AVAILABLE SIZES (NOMINAL): SEE TABULATION BLOCK.
- 1/4" X 1/2" POLY FOAM STRIP W/ PSA STANDARD ON ONE SIDE OF HEADER FOR NOMINAL 20 x 24 & 24 x 24 SIZES. SIZE 12 x 24 TO HAVE GASKET ON SIDE AND TOP OF HEADER.
- FILTERS MEET UL 900.
- FRAME TOLERANCES:
 LENGTHS: +0.000 / -0.063"
 DIAGONALS: WITHIN 1/4" TOTAL ALLOWANCE FOR DIAGONALS ≥ 30 in.
 WITHIN 1/8" TOTAL ALLOWANCE FOR DIAGONALS < 30 in.

PERFORMANCE NOTES:

- SEE TABULATION BLOCK FOR AIRFLOW CAPACITY.
- INITIAL PRESSURE DROP (in. w.g.)

EFFICIENCY	PRESSURE DROP
MERV 11	0.22
MERV 13	0.27
MERV 14	0.29
MERV 16	0.64



CUSTOMER APPROVAL BLOCK				
YOUR APPROVAL OF THIS PRINT AUTHORIZES CAMFIL USA INC. TO PROCEED WITH MATERIAL PROCUREMENT, TOOLING AND PRODUCT FABRICATION. ANY CHANGES MADE AFTER APPROVAL MAY INCUR FURTHER EXPENSES TO THE CUSTOMER.		© Camfil USA Inc.		
<input type="checkbox"/> OK AS IS <input type="checkbox"/> SEND REVISED DWG. SIGNATURE/DATE: _____ COMPANY NAME: _____		DESCRIPTION DURAFIL ES2 ASHRAE GRADE FILTER MERV 11, 13, 14, 16 DU4V-ES		
APPROVED BY: JJG	DATE: 9/9/2016	DRAWN BY: ACS	DATE: 9/9/2016	SHEET 1 OF 1 DRAWING NUMBER 507902 REV. -