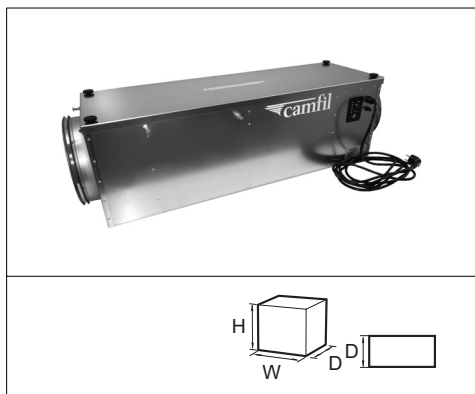


Air Cleaner CC 400 Concealed



Advantages

- Healthier employees
- Less cleaning
- Lower energy costs
- Reduced environmental impact
- Clean products, fewer operational disruptions
- Easy to adapt ducts and diffusers
- Less odour

Applications: Air purifier for rooms measuring up to 120 m², for example small or medium offices. Can also be used to complement larger air purifiers.

Nominal voltage range: 110..120V or 200..240V

Frequency / Hz: 50/60

Filter: F7 and H13 as standard.

Duct Connection: 2 pc Ø250mm

Capacity: 0-410 m³/h, Air Flow controlled as standard by 6 stage controller card, or with Air Image Sensor.

Installation: Wall or ceiling (built in)

Design: Galvanized or Stainless Steel.

Air purification area: MAX 120m²

Item no.	Type	Dimensions (WxHxD) mm	Weight kg	Air volume m ³ /h	Initial pressure drop Pa	Noise level dBa	Power input W	Current draw Amp	Filter included in standard version *
94000080	CC 400 Concealed 230V (Galv)	1113X313X327	21,9	0-410	137		170W	1,4	XLT F7 + H13
94000090	CC 400 Concealed 230V (SS)	1113X313X327	21,9	0-410	137		170W	1,4	XLT F7 + H13
94000103	CC 400 Concealed 115V (Galv)	1113X313X327	21,9	0-410	137		170W	2,4	XLT F7 + H13
94000092	CC 400 Concealed 115V (SS)	1113X313X327	21,9	0-410	137		170W	2,4	XLT F7 + H13

Upgrades / Accessories / Exchange

Art. Nr	Description	Type	No/machine
Upgrades:			
94000117	Pre(P)/Molecular(M)/HEPA(H)	Filter configuration	
94000118	Pre(P)/HEPA(H)/Molecular(M)	Filter configuration	
94000116	Upgrade to H14	Main filter	
Accessories:			
94000015	UK plug		
Spare filter:			
			No/machine
94020023	HI-FLO-F7-287/287/370-5-25	Pre filter	1
94000119	3GPA 287x287x96-F7	Pre filter	1
94020022	E11-287x287x292	Main filter	1
94020024	H13-287x287x292	Main filter	1
94000104	H14-287X287X292	Main filter	1
94020046	CamCarb CG 600 VOC	Molecular	9
94020049	CamCarb CG 600 Formaldehyde	Molecular	9
94020052	CamCarb CG 600 Decontamination	Molecular	9
94020076	CamCarb CG 600 Smoke Remover	Molecular	9

As part of our continuous improvement, Camfil reserve the right to change specifications without notice.